

# Stella di Caffè



PIECES DETACHEES  
SPARE PARTS

UNIC

## PIECES DETACHEES POUR MODELE STELLA SPARE PARTS FOR STELLA MODEL

### PLANCHES PLATES

100	MODELE STELLA	STELLA MODEL
120	HABILLAGE STELLA	STELLA CASING
140	BASSINE	OVERFLOW TRAY
150	PIEDS HAUTS	LONG FEET
200	CALANDRE	FRONT PANEL
210	BOITIERS	ELECTRONIC BOX
220	CONNEXION BOITIERS BGX	BGX BOX CONNECTION
230	CONNEXION BOITIERS BTA & BST	BTA & BST BOX CONNECTION
240	GROUPE STELLA	STELLA UNIT
250	CHAUDIERE GROUPE	GROUP BOILER
251	KIT PRE INFUSION EVP	PRE BREWING EV KIT
252	KIT PRE INFUSION EVP + CPRESS	PRE BREWING EV + SENSOR KIT
255	ADAPTATEUR DHA	DHA ADAPTOR
260	ELECTROVANNE 3 VOIES	ELECTROVALVE 3 WAYS
280	PORTE FILTRE	FILTER HOLDER
290	PORTE AIMANT	MAGNET HOLDER
295	DETECTEUR EFFET HALL	HALL EFFECT DETECTOR
300	NOURRICE ALIMENTATION EAU	WATER FEEDING UNIT
310	DOSEURS D'EAU	WATER DOSING DEVICE
320	CHAUDIERE VAPEUR	STEAM BOILER
330	CIRCUIT HYDRAULIQUE 2 GROUPES	2 UNITS HYDRAULIC CIRCUIT
340	CIRCUIT HYDRAULIQUE 3 GROUPES	3 UNITS HYDRAULIC CIRCUIT
350	CIRCUIT HYDRAULIQUE 4 GROUPES	4 UNITS HYDRAULIC CIRCUIT
400	SORTIE EAU CHAUDE	HOT WATER OUTLET
410	ELECTROVANNE SORTIE VAPEUR	STEAM OUTLET ELECTROVALVE
420	ROBINET VAPEUR	STEAM TAP
430	SORTIE STEAMAIR	STEAMAIR OUTLET
440	ROBINET VAPEUR A DROITE	RIGHT STEAM TAP
450	ELECTROVANNE 2 VOIES	ELECTROVALVE 2 WAYS
600	MOTEUR POMPE	PUMP MOTOR
650	RELAIS STATIQUES	SOLID STATE RELAY
700	TABLEAU RACCORDEMENT ELECTRIQUE	ELECTRIC CONNECTION PANEL
710	CONNEXION CARTE CPU	CPU BOARD CONNECTION
720	CARTE CPU	CPU BOARD
730	VOYANTS ET PONTS CARTE CPU	LED AND JUMPER CPU BOARD
740	VENTILATEUR	FAN
800	STELLA V+	STELLA V+
810	KIT DOUBLE COMMANDE	DUAL COMMAND LEVER KIT
820	LEVIER DE COMMANDE	COMMAND LEVER
830	DOUBLE COMMANDE	DUAL COMMAND LEVER
850	BANDEAU ARRIERE	REAR STRIP
973	SORTIE CAPPUCCINO LATTE	AUTOFROTHER LC
983	SORTIE EAU CHAUDE REGLABLE	ADJUSTABLE HOT WATER OUTLET

**Liste des pièces spécifiques aux machines NSF**  
**List of specific parts for NSF machines**  
**(USA -CANADA)**

N° PLANCHE	REF	REF NSF	DESIGNATION	
240	23100	23100NI	PORTE GICLÉUR	GICLUER HOLDER
	31910	31910NI	RONDELLE DIFFUSEUR GROUPE	WASHER DIFFUSER
	35035	35036	ELECTROVANNE 3V 24V	ELECTROVALVE 3W 24V
	NZ4001	NZ4001NI	CORPS DE GROUPE	UNIT BODY
	NZ4007	NZ4007NI	TASSOIR MONOGROUPE	SINGLE GROUP COMPACTOR
	NZ4008	NZ4008NI	PISTON MONOGROUPE	SINGLE GROUP PISTON
	PI-45X	35037	ELECTROV. 3V SANS BOBINE	ELECTROVALVE 3W WITHOUT COIL
250	20964	FR4000NI	RACCORD 3/8M 1/2F	CONNECTION 3/8M 1/2F
	29805	29805NI	ELEMENT CHAUFFANT 230V 2000W	HEATING ELEMENT 230V-2000W
251	23760	23760NI	AXE BANJO 1/4	BANJO SCREW 1/4
	23761	2376NI	CORPS DE BANJO 1/4	BANJO BODY 1/4
	35532	35533	ELECTROVANNE 2V 24V N.O Ø2	ELECTROVALVE 2W 24V OPEN
	CN-441A	CN-441ANI	RACCORD 1/4M-3/8M	CONNECTION 1/4-3/8
	NZ6018	NZ6018NI	TUBE ALIM. GROUPE PRE INFUSION	PRE BREWING UNIT FEEDING PIPE
	NZ1025	NZ1025NI	KIT PRE INFUSION EVP	PRE BREWING EVP KIT
	252	23760	23760NI	AXE BANJO 1/4
23761		2376NI	CORPS DE BANJO 1/4	BANJO BODY 1/4
35532		35533	ELECTROVANNE 2V 24V N.O Ø2	ELECTROVALVE 2W 24V OPEN
CN-441A		CN-441ANI	RACCORD 1/4M-3/8M	CONNECTION 1/4-3/8
NZ6018		NZ6018NI	TUBE ALIM. GROUPE PRE INFUSION	PRE BREWING UNIT FEEDING PIPE
NZ4015		NZ4015NI	BOUCHON GROUPE CAPTEUR	SENSOR UNIT CAP
NZ1026		NZ1026NI	KIT PRE INFUSION EVP + C PRESS	PRE BREWING EVP + SENSOR KIT
255	CS4042	CS4042NI	INTERFACE SUPERIEURE	UPPER INTERFACE
	CS4043	CS4043NI	INTERFACE INFÉRIEURE	LOWER INTERFACE
260	PI-45X	35037	ELECTROV. 3V SANS BOBINE	ELECTROVALVE 3W WITHOUT COIL
	35035	35036	ELECTROVANNE 3V 24V	ELECTROVALVE 3W 24V
300	20951	20951NI	RACCORD 3/8M-3/8M	FITTING 3/8M-3/8M
	CN-347A	CN-347ANI	RACCORD D'ALIM. 3/8 - 3/8 MM	FITTING - 3/8 X 3/8 -
	NZ4018	NZ40158NI	RACCORD NOURRICE	LEADER FITTING
	DO-187	DO-187NI	CORPS DE SOUPAPE	VALVE BODY
	DO-191	DO-191NI	SOUPAPE H.P. COMPLETE	COMPLET H.P. VALVE
	MI-36	MI-36NI	RACCORD 1/8M 1/8M	CONNECTION 1/8
	CN-631R	35515	ELECTROVANNE 2V REG 24V/50-60HZ	ELECTROVALVE 2W ADJ. 24V/50-60HZ
	R-100	R-100NI	RACCORD LAITON	CONNECTION
310	23760	23760NI	AXE BANJO 1/4	BANJO SCREW 1/4
	23761	23761NI	CORPS DE BANJO 1/4	BANJO BODY 1/4
	35532	35533	ELECTROVANNE 2V 24V N.O Ø2	ELECTROVALVE 2W 24V OPEN
	CN-441A	CN-441ANI	RACCORD 1/4M-3/8M	CONNECTION 1/4-3/8
	NZ1002	NZ1002NI	NOURRICE ALIMENTATION EAU	WATER FEEDING UNIT
	NZ6006	NZ6006NI	TUBE ALIMENTATION GROUPE	UNIT FEEDING PIPE
	NZ6007	NZ6007NI	RAMPE DOSEUR EAU	WATER DOSER PIPE
	NZ6008	NZ6008NI	RAMPE DOSEUR ET ENTREE EAU	WATER FEEDING & DOSER PIPE
	NZ6011	NZ6011NI	TUBE REPLISSAGE CHAUDIERE	BOILER FEEDING PIPE
	NZ6012	NZ6012NI	TUBE CAPTEUR RESEAU	NETWORK SENSOR PIPE
NZ6018	NZ6018NI	TUBE ALIM. GROUPE PRE INFUSION	PRE BREWING UNIT FEEDING PIPE	
320	27200	27220	SOUPAPE VAPEUR 3,5 BARS	LP VALVE 1/8
	29042	29042NI	CHAUDIERE VAPEUR 2GR	STEAM BOILER 2 UNITS
	29043	29043NI	CHAUDIERE VAPEUR 3GR	STEAM BOILER 3 UNITS
	29044	29044NI	CHAUDIERE VAPEUR 4GR	STEAM BOILER 4 UNITS
	29813	29813NI	ELEMENT CHAUFFANT 230V 6555W	HEATING ELEMENT 230V 6555W
	NA-69A	NA-69ANI	PORTE SONDE EN LAITON	PROBE HOLDER CONNECTION

N° PLANCHE	REF	REF NSF	DESIGNATION	
330/340/350	DV1024	DV1024NI	SORTIE EAU CHAUDE REGLABLE	ADJUSTABLE HOT WATER OUTLET
	NZ6004	NZ6004NI	TUBE EV VAPEUR	STEAM EV PIPE
	NZ6005	NZ6005NI	TUBE EV EAU CHAUDE	HOT WATER EV PIPE
	NZ6006	NZ6006NI	TUBE ALIMENTATION GROUPE	UNIT FEEDING PIPE
	NZ6007	NZ6007NI	RAMPE DOSEUR EAU	WATER DOSER PIPE
	NZ6008	NZ6008NI	RAMPE DOSEUR ET ENTREE EAU	WATER FEEDING & DOSER PIPE
	NZ6010	NZ6010NI	TUBE ROBINET VAPEUR	STEAM TAP PIPE
	NZ6011	NZ6011NI	TUBE REMPLISSAGE CHAUDIERE	BOILER FEEDING PIPE
	NZ6012	NZ6012NI	TUBE CAPTEUR RESEAU	NETWORK SENSOR PIPE
	NZ6013	NZ6013NI	TUBE CAPTEUR VAPEUR	STEAM SENSOR PIPE
	NZ6015	NZ6015NI	TUBE EVACUATION SOUPAPE HP	HP VALVE DRAIN TUBE
	NZ6016	NZ6016NI	TUBE EVACUATION SOUPAPE HP (V+)	HP VALVE DRAIN TUBE (V+)
	NZ6018	NZ6018NI	TUBE ALIM. GROUPE PRE INFUSION	PRE BREWING UNIT FEEDING PIPE
400	23760	23760NI	AXE BANJO 1/4	BANJO SCREW 1/4
	23761	23761NI	CORPS DE BANJO 1/4	BANJO BODY 1/4
	DV-171	DV-171NI	RACCORD 3/8-1/4	FITTING 3/8
	DV1024	DV1024NI	SORTIE EAU CHAUDE REGLABLE	ADJUSTABLE HOT WATER OUTLET
	CN-245R	35510	ELECTROVANNE 2V 24V	ELECTROVALVE 2W 24V
	NZ6005	NZ6005NI	TUBE EV EAU CHAUDE	HOT WATER EV PIPE
	RR-67	RR-67NI	EMBOUT LAITON	BRASS END
410	20952	20952NI	RACCORD 1/4 MALE	FITTING 1/4 M
	35040	35045	ELECTROVANNE 3V 24V	ELECTROVALVE 3W 24V
	DV-171	DV-171NI	RACCORD 3/8-1/4	FITTING 3/8
	RR-67	RR-67NI	EMBOUT LAITON	BRASS END
	NZ6004	NZ6004NI	TUBE EV VAPEUR	STEAM EV PIPE
420	21100	21100NI	BOUCHON 1/8	PLUG 1/8
	NZ4004	NZ4004NI	ROBINET VAPEUR	STEAM TAP
	RR-67	RR-67NI	EMBOUT LAITON	BRASS END
430	RO-57	RO-57NI	MELANGEUR	MIXER
440	NZ1014	NZ1014NI	ROBINET VAPEUR COMPLET	STEAM TAP KIT
	NZ6020	NZ6020NI	TUBE ROBINET VAPEUR DROIT	RIGHT STEAM TAP PIPE
	NZ1017	NZ1017NI	KIT ROBINET VAPEUR A DROITE	RIGHT STEAM TAP KIT
450	CN-245R	35510	ELECTROVANNE 2V 24V	ELECTROVALVE 2W 24V
	CN-631R	35515	ELECTROVANNE 2V REG 24V50-60HZ	ELECTROVALVE 2W ADJ. 24V50-60HZ
	35532	35533	ELECTROVANNE 2V 24V N.O Ø2	ELECTROVALVE 2W 24V OPEN
600	CN-347A	CN-347ANI	RACCORD D'ALIM. 3/8 - 3/8 MM	FITTING - 3/8 X 3/8 -
	37225	37272	POMPE ROTATIVE 200L/H PROCON	PROCON PUMP 200L/H
983	23118	23118NI	SUPPORT GICLEUR SORTIE EAU CHAUDE	HOT WATER GICLUER SUPPORT
	DV1024	DV1024NI	SORTIE EAU CHAUDE REGLABLE	ADJUSTABLE HOT WATER OUTLET

**PLANCHE/PLATE : 100**

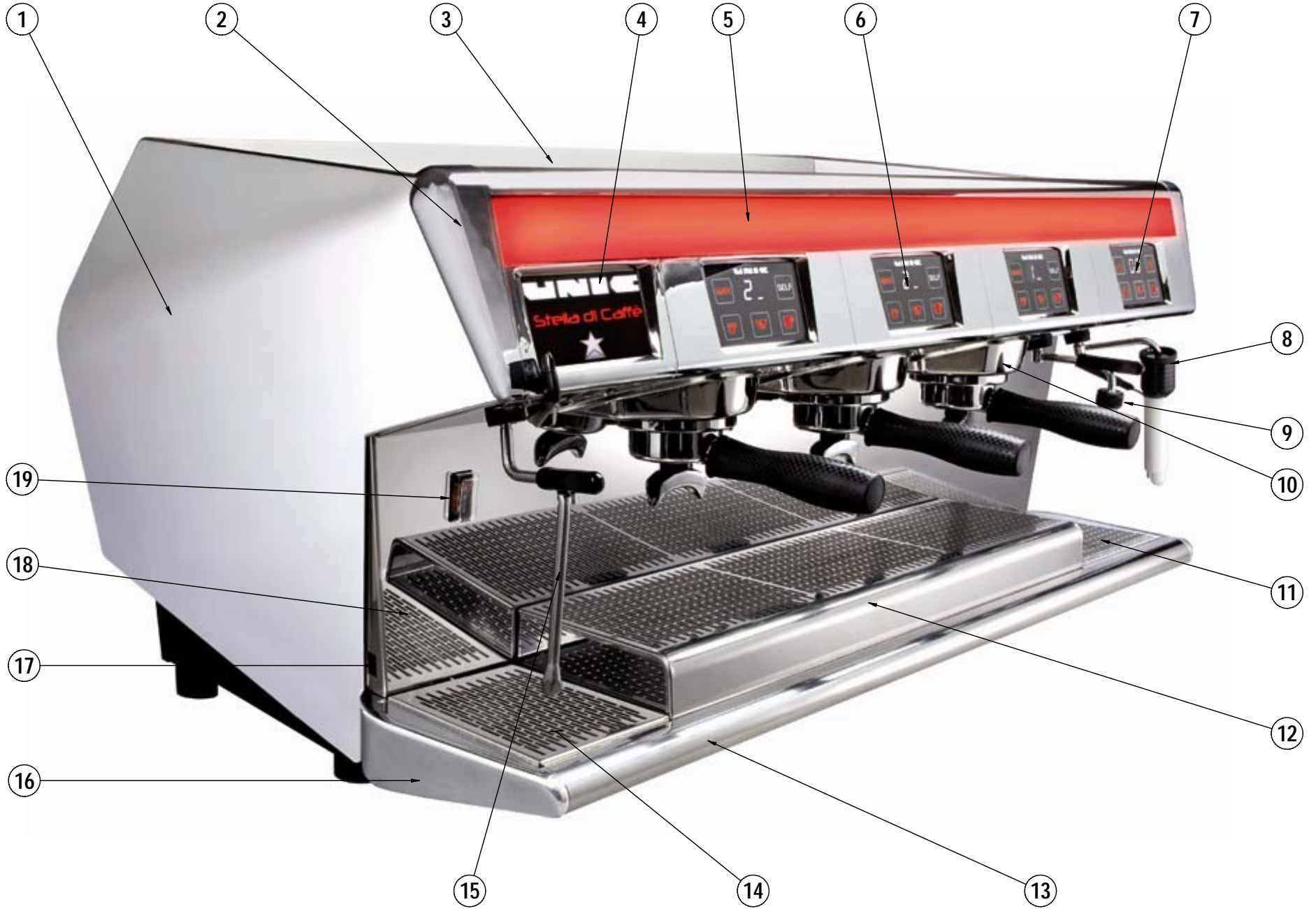
REP	REF	DESIGNATION	DESIGNATION
1	NZ7005	COTE GAUCHE	LEFT SIDE
	NZ7006	COTE DROIT	RIGHT SIDE
2	NZ7010	ENJOLIVEUR GAUCHE	LEFT ORNAMENTAL
	NZ7012	ENJOLIVEUR DROIT	RIGHT ORNAMENTAL
3	NZ3020	CHAUFFE TASSES 2GR	CUP WARMER 2 UNITS
	NZ3030	CHAUFFE TASSES 3GR	CUP WARMER 3 UNITS
	NZ3040	CHAUFFE TASSES 4GR	CUP WARMER 4 UNITS
4	45106	BOITIER ECRAN CONTRÔLE (BTA)	SCREEN CONTROL ELECTRONIC BOX (BTA)
5	46172	BANDEAU STELLA 2GR	2 UNITS STELLA STRIP
	46173	BANDEAU STELLA 3GR	3 UNITS STELLA STRIP
	46174	BANDEAU STELLA 4GR	4 UNITS STELLA STRIP
6	45100	BOITIER DOSAMAT (BGX)	DOSAMAT ELECTRONIC BOX (BGX)
7	45104	BOITIER STEAMAIR (BST)	STEAMAIR ELECTRONIC BOX (BST)
8	NZ1020	SORTIE STEAMAIR STELLA	STELLA STEAMAIR OUTLET
9	DV1024	SORTIE EAU CHAUDE REGLABLE	ADJUSTABLE HOT WATER OUTLET
10	NZ7030	CACHE GROUPE	UNIT COVER
11	NZ2055	GRILLE DE BASSINE DROITE	RIGHT OVERFLOW TRAY GRID
12	NZ2062	GRILLE BASSINE HAUTE 2GR	HIGH GRID 2 UNITS
	NZ2063	GRILLE BASSINE HAUTE 3GR	HIGH GRID 3 UNITS
	NZ2064	GRILLE BASSINE HAUTE 4GR	HIGH GRID 4 UNITS
13	NZ3023	BASSINE 2GR	2 UNITS OVERFLOW TRAY
	NZ3033	BASSINE 3GR	3 UNITS OVERFLOW TRAY
	NZ3043	BASSINE 4GR	4 UNITS OVERFLOW TRAY
14	NZ2054	GRILLE DE BASSINE GAUCHE	LEFT OVERFLOW TRAY GRID
15	25902	SORTIE VAPEUR STELLA INOX	STELLA S.STEEL STEAM OUTLET
16	NZ7000	JOUE DE BASSINE GAUCHE	LEFT ORNAMENTAL OVERFLOW
	NZ7002	JOUE DE BASSINE DROITE	RIGHT ORNAMENTAL OVERFLOW
17	44714	PRISE USB	USB JACK
	44715	CABLE LIAISON USB	USB JACK CABLE
	44708	clef USB	USB key
	53402	BOUCHON PRISE USB	CAP FOR USB A JACK
18	NZ3024	DEVANT 2GR	FRONT CASING 2 UNITS
	NZ3034	DEVANT 3GR	FRONT CASING 3 UNITS
	NZ3044	DEVANT 4GR	FRONT CASING 4 UNITS
19	43211	DISJONCTEUR	CIRCUIT BREAKER
	NZ8047	CABLE DIRUPTOR	MAIN SWITCH CABLE

03/11

STELLA (3)

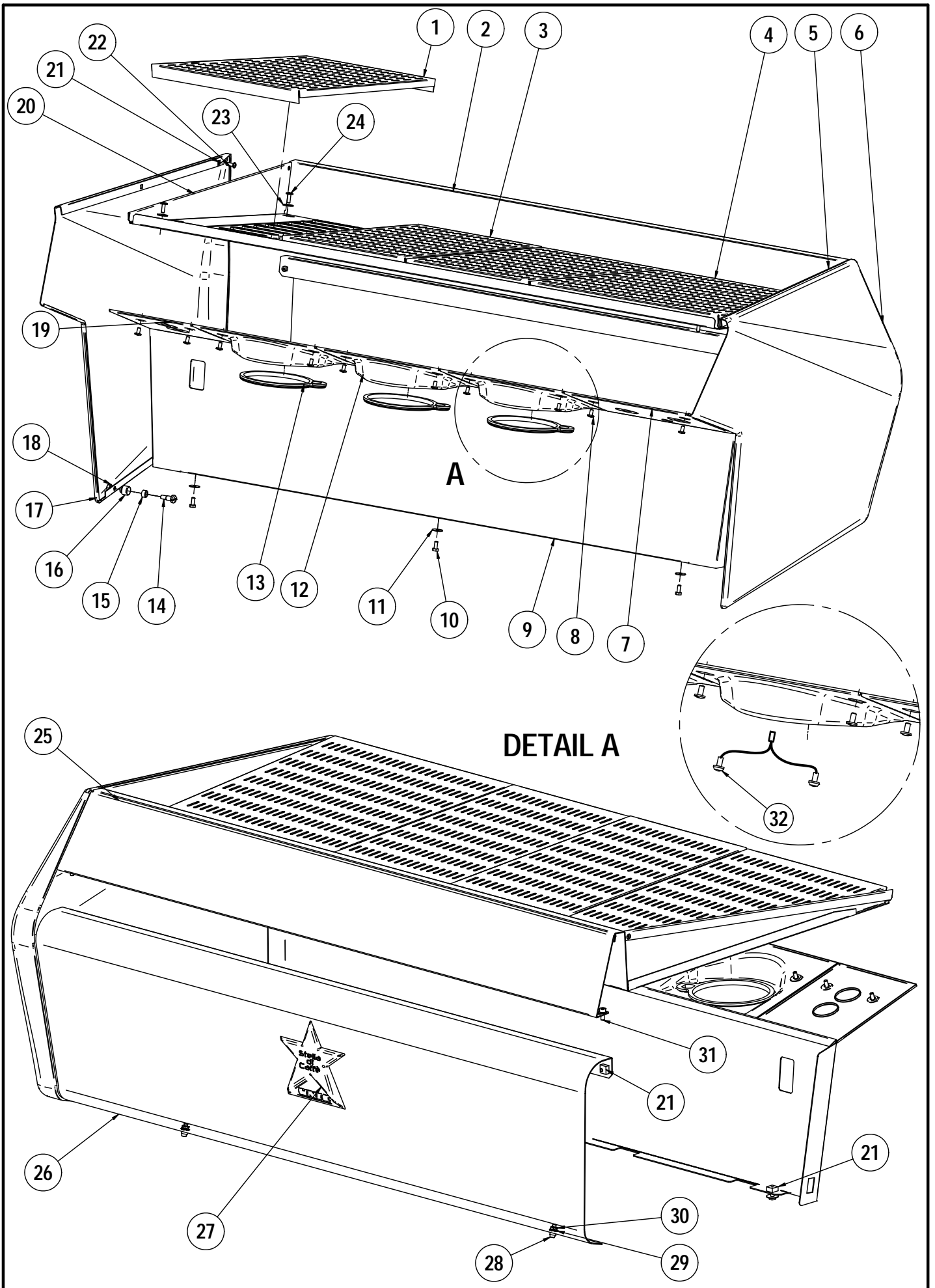
LINEA

100



**PLANCHE/PLATE : 120**

REP	REF	DESIGNATION	DESIGNATION
1	NZ3007	VERRIERE GAUCHE	LEFT CUP RACK
2	NZ3020	CHAUFFE TASSES 2GR	CUP WARMER 2 UNITS
	NZ3030	CHAUFFE TASSES 3GR	CUP WARMER 3 UNITS
	NZ3040	CHAUFFE TASSES 4GR	CUP WARMER 4 UNITS
3	NZ3009	VERRIERE MODULE	MIDDLE CUP RACK
4	NZ3008	VERRIERE DROITE	RIGHT CUP RACK
5	NZ3016	COTE DROIT CHAUFFE TASSES	RIGHT SIDE CUP WARMER
6	NZ7006	COTE DROIT	RIGHT SIDE
7	NZ7007	CACHE ELECTROVANNE	ELECTROVALVE COVER
	NZ7007R	CACHE ELECTROVANNE VERSION ROBINET	ELECTROVALVE COVER TAP VERSION
8	ID-129	VIS INOX POELIER VM 4 X 8	SCREW 4 X 8
9	NZ3024	DEVANT 2GR	FRONT CASING 2 UNITS
	NZ3034	DEVANT 3GR	FRONT CASING 3 UNITS
	NZ3044	DEVANT 4GR	FRONT CASING 4 UNITS
10	50118	VIS TH M4X10 INOX	S.STEEL SCREW M4X10
11	51552	RONDELLE L4 INOX	S..STEEL WASHER L4
12	NZ7030	CACHE GROUPE	UNIT COVER
13	DV-165	JOINT POUR JUPETTE NSF CAPTEUR	GASKET COVER SENSOR
	DV-164	JOINT POUR JUPETTE NSF	GASKET COVER
14	50215	VIS EPAULEE COTE	SIDE SCREW
15	28904	RESSORT ELASTOMERE	RUBBER SPRING
16	60002	DOUILLE RESSORT ELASTOMERE	RUBBER SPRING SOCKET
17	NZ7005	COTE GAUCHE	LEFT SIDE
18	51100	ECROU M5 INOX	NUT M5
19	NZ7008	CACHE ROBINET	TAP COVER
20	NZ3015	COTE GAUCHE CHAUFFE TASSES	LEFT SIDE CUP WARMER
21	CN-661	ECROU RAPID M4 EN CAGE /1_1,6	INSERT NUT M4
22	NM-096	VIS TBHC M4X12 INOX	S.STEEL SCREW M4X12
23	PG-16	RONDELLE ACIER Zn 4,25x14x0,8	WASHER
24	CN-694	VIS POELIER M 4 X 12 INOX	SCREW M4 X 12
25	NZ3026	ARRIERE CHAUFFE TASSES 2GR	CUP WARMER BACK 2 UNITS
	NZ3036	ARRIERE CHAUFFE TASSES 3GR	CUP WARMER BACK 3 UNITS
	NZ3046	ARRIERE CHAUFFE TASSES 4GR	CUP WARMER BACK 4 UNITS
26	NZ3021	CHEMISE 2GR	REAR CASING 2 UNITS
	NZ3031	CHEMISE 3GR	REAR CASING 3 UNITS
	NZ3041	CHEMISE 4GR	REAR CASING 4 UNITS
27	NZ7025	LOGO STELLA	STELLA SIGN
28	FR4056	VIS SPECIAL COTE	SIDE SCREW
29	CN343	RONDELLE EVENTAIL 3	WASHER 3
30	PG-14	ECROU M4	NUT M4
31	PE-59	VIS TCHC M4x10 INOX	SCREW 4 X 10
32	NZ8054	CABLE LED GROUPE	LED UNIT CABLE
	NZ8053	CABLE POUR LED GROUPE- EV	UNIT-EV CABLE FOR LED



11/2013

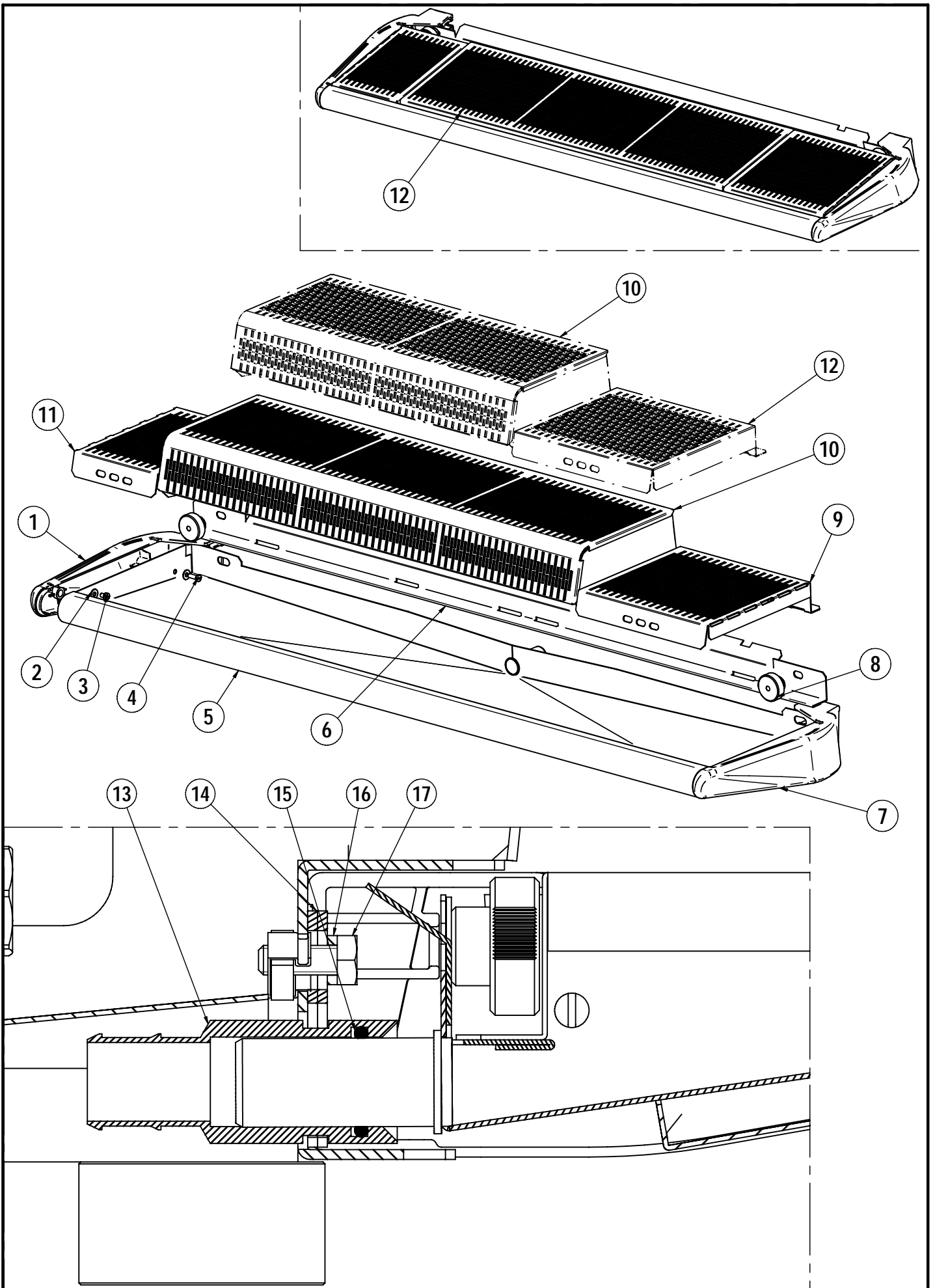
HABILLAGE STELLA  
STELLA CASING

**UNIC** 120



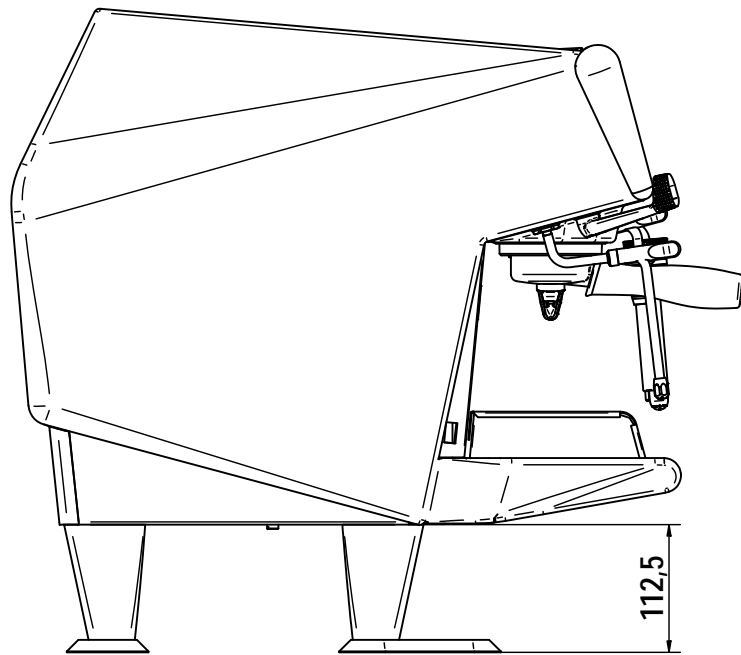
**PLANCHE/PLATE : 140**

REP	REF	DESIGNATION	DESIGNATION
1	NZ7000	JOUE DE BASSINE GAUCHE	LEFT ORNAMENTAL OVERFLOW
2	PG-15B	RONDELLE INOX MOYENNE DIAM 4	WASHER
3	CN-325	VIS INOX TC 4 x 6	SCREW M4 X 6
4	DO-195	VIS ACIER INOX TC 4 X 12	SCREW M4 X 12
5	NZ3023	BASSINE 2GR	2 UNITS OVERFLOW TRAY
	NZ3033	BASSINE 3GR	3 UNITS OVERFLOW TRAY
	NZ3043	BASSINE 4GR	4 UNITS OVERFLOW TRAY
6	NZ2032	SUPPORT GRILLES DE BASSINE 2GR	GRID SUPPORT 2 UNITS
	NZ2033	SUPPORT GRILLES DE BASSINE 3GR	GRID SUPPORT 3 UNITS
	NZ2034	SUPPORT GRILLES DE BASSINE 4GR	GRID SUPPORT 4 UNITS
7	NZ7002	JOUE DE BASSINE DROITE	RIGHT ORNAMENTAL OVERFLOW
8	NZ4002	ECROU MOLETE M6	NUT M6
9	NZ2055	GRILLE DE BASSINE DROITE	RIGHT OVERFLOW TRAY GRID
10	NZ2062	GRILLE BASSINE HAUTE 2GR	HIGH GRID 2 UNITS
	NZ2063	GRILLE BASSINE HAUTE 3GR	HIGH GRID 3 UNITS
	NZ2064	GRILLE BASSINE HAUTE 4GR	HIGH GRID 4 UNITS
	NZ2061	GRILLE BASSINE HAUTE 1GR	HIGH GRID 1 UNIT
11	NZ2054	GRILLE DE BASSINE GAUCHE	LEFT OVERFLOW TRAY GRID
12	NZ2026	GRILLE DE BASSINE 2GR	2 UNITS OVERFLOW TRAY GRID
	NZ2036	GRILLE DE BASSINE 3GR	3 UNITS OVERFLOW TRAY GRID
	NZ2046	GRILLE DE BASSINE 4GR	4 UNITS OVERFLOW TRAY GRID
	NZ2028	GRILLE DE BASSINE 1GR	1 UNIT OVERFLOW TRAY GRID
13	NZ4005	TUBE VIDANGE	DRAIN PIPE
14	NZ2017	SUPPORT VIDANGE	DRAIN SUPPORT
15	CN-45	JOINT TORIQUE 2,62X17,13	GASKET - 17,13 X 2,62
16	51655	RONDELLE GROWER DE 6	WASHER 6
17	SH-28	VIS TH M6 X 16	SCREW M6 X 16
	NZ1031	BASSINE 2GR COMPLETE	2 UNITS OWERFLOW TRAY KIT
	NZ1032	BASSINE 2GR V+ COMPLETE	2 UNITS V+ OWERFLOW TRAY KIT
	NZ1033	BASSINE 3GR COMPLETE	3 UNITS OWERFLOW TRAY KIT
	NZ1034	BASSINE 3GR V+ COMPLETE	3 UNITS V+ OWERFLOW TRAY KIT
	NZ1035	BASSINE 4GR COMPLETE	4 UNITS OWERFLOW TRAY KIT
	NZ1036	BASSINE 4GR V+ COMPLETE	4 UNITS V+ OWERFLOW TRAY KIT

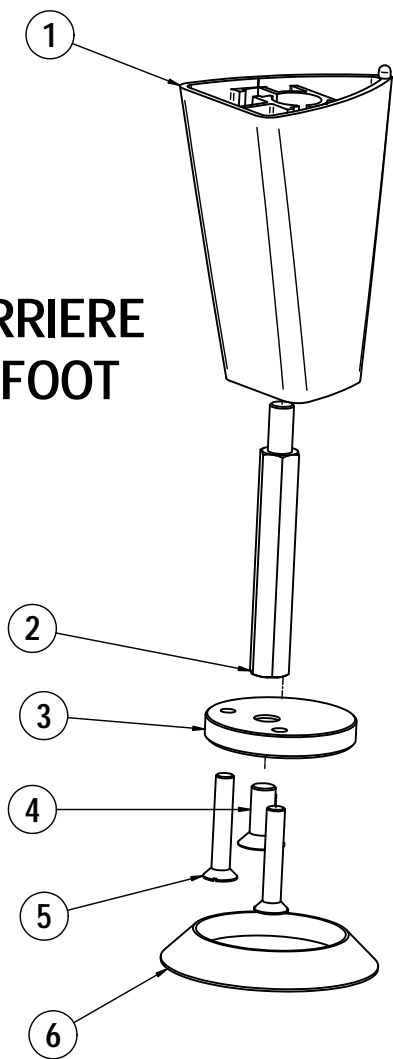


**PLANCHE/PLATE : 150**

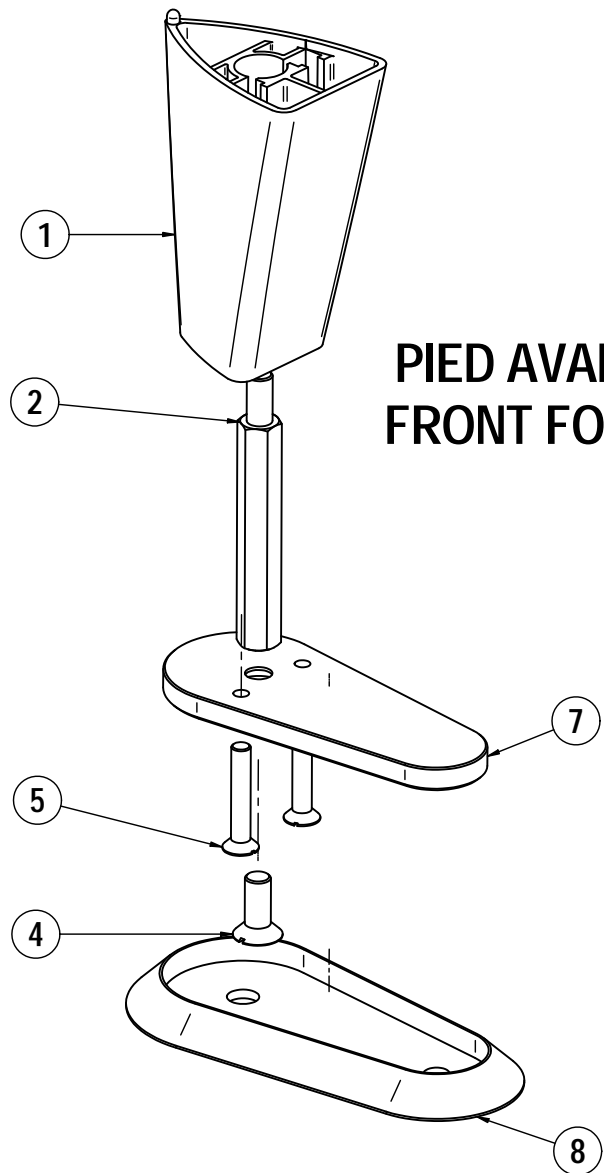
<b>REP</b>	<b>REF</b>	<b>DESIGNATION</b>	<b>DESIGNATION</b>
1	NZ7020	PIED ARRIERE	REAR FOOT
2	NZ4020	COLONETTE PIED HAUT	SPACER
3	NZ4024	EMBASE PIED ARRIERE	REAR FOOT BASE
4	50408	VIS TF M8X20	SCREW M8X20
5	50300	VIS TF M6X35 INOX	SCREW M6X25 STAINLESS STEEL
6	NZ7024	PATIN PIED ARRIERE	REAR RUBBER FOOT
7	NZ4025	EMBASE PIED AVANT	FRONT FOOT BASE
8	NZ7023	PATIN PIED AVANT	FRONT RUBBER FOOT



**PIED ARRIERE  
REAR FOOT**



**PIED AVANT  
FRONT FOOT**



**PLANCHE/PLATE : 200**

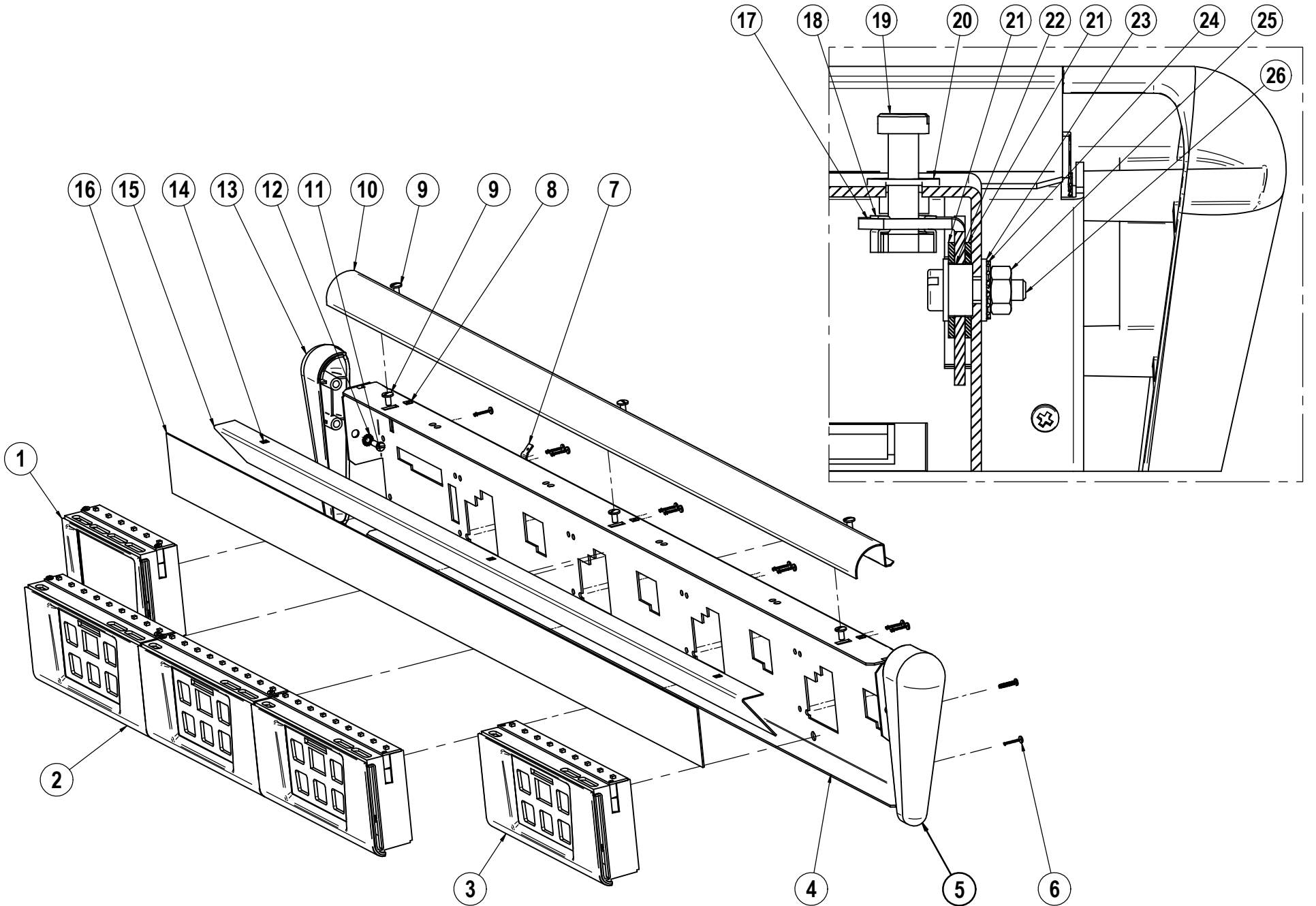
REP	REF	DESIGNATION	DESIGNATION
1	45106	BOITIER ECRAN CONTRÔLE (BTA)	SCREEN CONTROL ELECTRONIC BOX (BTA)
2	45100	BOITIER DOSAMAT (BGX)	DOSAMAT ELECTRONIC BOX (BGX)
	45102	BOITIER 2T (BGX)	2 CUPS ELECTRONIC BOX (BGX)
	45103	BOITIER 3T (BGX)	3 CUPS ELECTRONIC BOX (BGX)
	45101	BOITIER 0/1 (BGX)	0/1 ELECTRONIC BOX (BGX)
3	45104	BOITIER STEAMAIR (BST)	STEAMAIR ELECTRONIC BOX (BST)
	45105	BOITIER EAU CHAUDE (BST)	HOT WATER ELECTRONIC BOX (BST)
4	NZ3028	SUPPORT CALANDRE 2GR	2 UNITS FRONT PANEL
	NZ3038	SUPPORT CALANDRE 3GR	3 UNITS FRONT PANEL
	NZ3048	SUPPORT CALANDRE 4GR	4 UNITS FRONT PANEL
5	NZ7012	ENJOLIVEUR DROIT	RIGHT ORNAMENTAL
6	50708	VIS AUTOFORMEUSE 3X14	SCREW 3X14
7	41305	FASTON MALE A VISSER	MALE FASTON PIN
	NZ8048	CABLE MASSE CALANDRE	FRONT PANEL GROUND CABLE
8	52514	ECROU RAPIDE M4 EP:2	NUT M4
9	ID-129	VIS INOX POELIER VM 4 X 8	SCREW 4 X 8
10	NZ3029	DESSUS DE CALANDRE 2GR	2 UNITS FRONT PANEL TOP
	NZ3039	DESSUS DE CALANDRE 3GR	3 UNITS FRONT PANEL TOP
	NZ3049	DESSUS DE CALANDRE 4GR	4 UNITS FRONT PANEL TOP
11	DO-195	VIS ACIER INOX TC 4 X 12	SCREW M4 X 12
12	CN-343	RONDELLE EVENTAIL 4	WASHER 4
13	NZ7010	ENJOLIVEUR GAUCHE	LEFT ORNAMENTAL
14	CN-661	ECROU RAPID M4 EN CAGE /1_1,6	INSERT NUT M4
15	NZ3051	DEFLECTEUR CALANDRE 2GR	2 UNITS DEFLECTOR
	NZ3052	DEFLECTEUR CALANDRE 3GR	3 UNITS DEFLECTOR
	NZ3053	DEFLECTEUR CALANDRE 4GR	4 UNITS DEFLECTOR
16	46172	BANDEAU STELLA 2GR	2 UNITS STELLA STRIP
	46173	BANDEAU STELLA 3GR	3 UNITS STELLA STRIP
	46174	BANDEAU STELLA 4GR	4 UNITS STELLA STRIP
17	NZ3017	ACCROCHE CALANDRE GAUCHE	LEFT FRONT PANEL HOOK
	NZ3018	ACCROCHE CALANDRE DROITE	RIGHT FRONT PANEL HOOK
18	52516	ECROU RAPIDE M6 EP:2	NUT M6
19	50304	VIS TC M6X25 INOX	S.STEEL SCREW M6X25
20	PH-32	RONDELLE ACIER Zn 6,25x14x1,2	WASHER
21	CH-2	JOINT PLAT PTFE	PTFE GASKET
22	51818	ENTRETOISE	SPACER
23	51600	RONDELLE INOX MOYENNE DE 5	WASHER
24	CN-344	RONDELLE EVENTAIL DE 5	LOCK WASHER 5
25	51100	ECROU M5 INOX	NUT M5
26	PE-66	VIS TC M5 X 16 INOX	SCREW M5 X 16

05/2011

CALANDRE  
FRONT PANEL

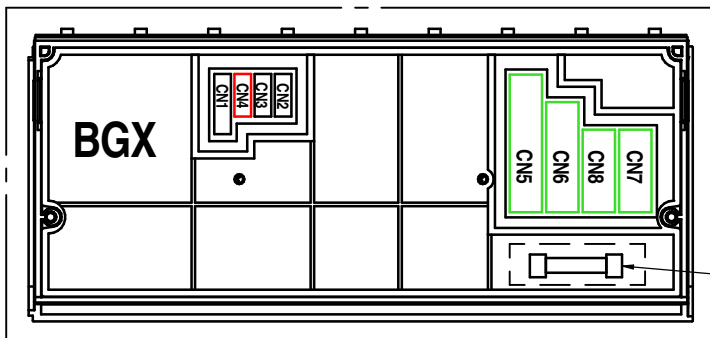
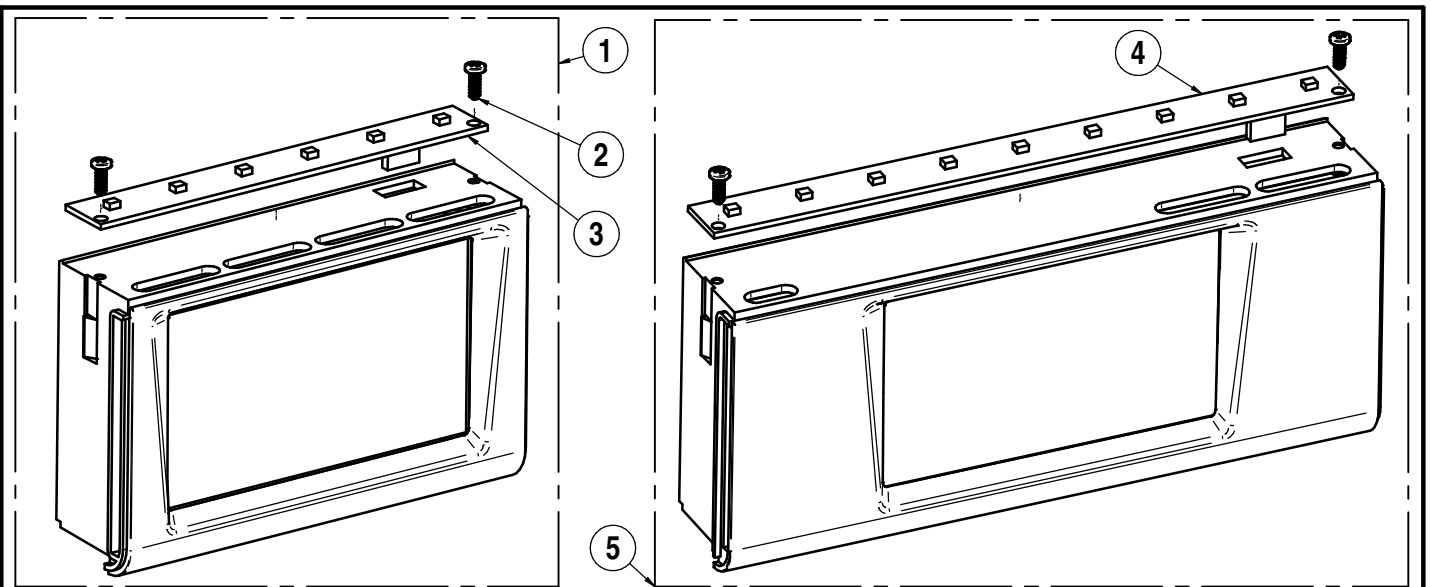
**UNICE**

200



**PLANCHE/PLATE : 210**

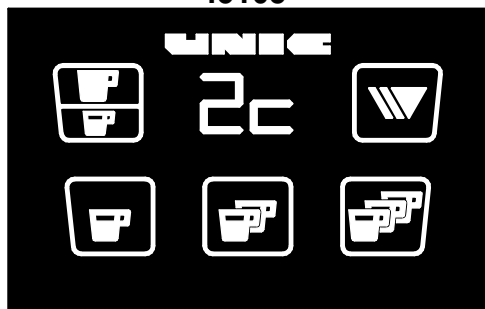
<b>REP</b>	<b>REF</b>	<b>DESIGNATION</b>	<b>DESIGNATION</b>
1	45106	BOITIER ECRAN CONTRÔLE (BTA)	SCREEN CONTROL ELECTRONIC BOX (BTA)
2	50716	VIS TCBZ 3X8	SCREW TCBZ 3X8
3	45366	REGLETTE LED BOITIER BTA	LED STRIP FOR BTA BOX
4	45365	REGLETTE LED BOITIER BGX	LED STRIP FOR BGX BOX
5	45100	BOITIER DOSAMAT (BGX)	DOSAMAT ELECTRONIC BOX (BGX)
	45101	BOITIER 0/1 (BGX)	0/1 ELECTRONIC BOX (BGX)
	45102	BOITIER 2T (BGX)	2 CUPS ELECTRONIC BOX (BGX)
	45103	BOITIER 3T (BGX)	3 CUPS ELECTRONIC BOX (BGX)
	45104	BOITIER STEAMAIR (BST)	STEAMAIR ELECTRONIC BOX (BST)
	45105	BOITIER EAU CHAUDE (BST)	HOT WATER ELECTRONIC BOX (BST)
6	43116	FUSIBLE 5 X 20 2A RETARDE T	FUSE 2A DELAYED



For all BGX boxes models

6 Pour tous les types de boitiers BGX

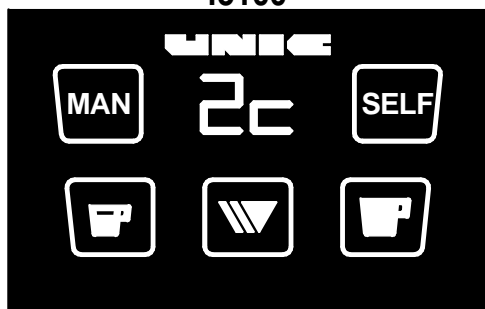
45103



45102



45100



45105



45101



45104





**PLANCHE/PLATE : 220**

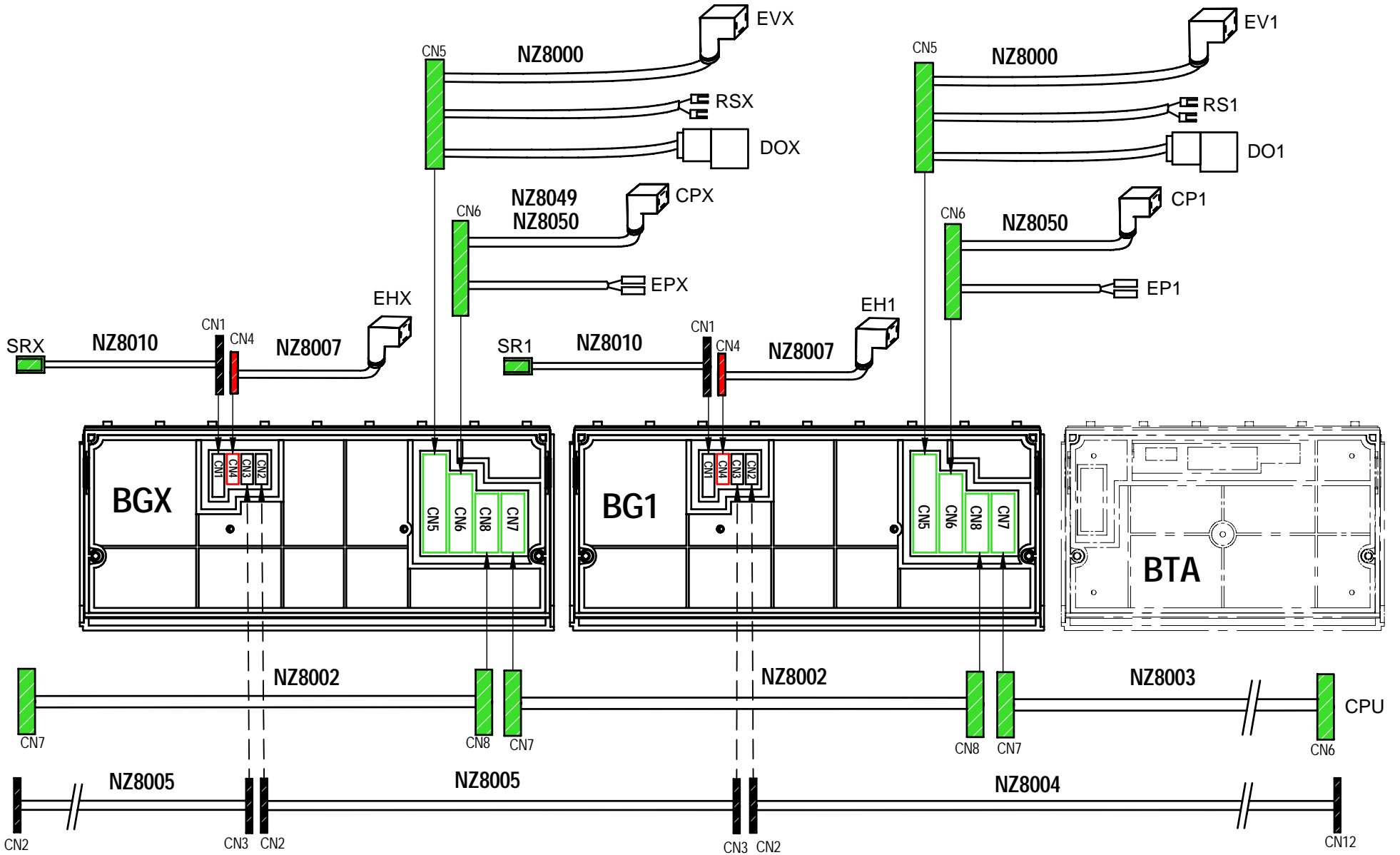
<b>REP</b>	<b>REF</b>	<b>DESIGNATION</b>	<b>DESIGNATION</b>
1	NZ8000	CABLE EV CAFE RS DO GROUPE	COFFEE EV RS DO GROUP CABLE
2	NZ8002	CABLE ALIMENTATION 24V BGX/BGX	24V SUPPLY BGX/BGX CABLE
3	NZ8003	CABLE ALIMENTATION 24V CPU/BGX	24V SUPPLY CPU/BGX CABLE
4	NZ8004	CABLE LIAISON 485 CPU/BGX	LINK 485 CPU/BGX CABLE
5	NZ8005	CABLE LIAISON 485 BGX/BGX	LINK 485 BGX/BGX CABLE
6	NZ8007	CABLE DOSAMAT	DOSAMAT CABLE
7	NZ8010	CABLE SONDE GROUPE	GROUP PROBE CABLE
8	NZ8049	CABLE PRE-INFUSION EVP + CPX	PRE-INFUSION EVP + CPX CABLE
9	NZ8050	CABLE PRE-INFUSION EVP	PRE-INFUSION EVP CABLE

06/2011

CONNECTIONS BOITIER BGX  
BGX BOX CONNECTION



220



**PLANCHE/PLATE : 230**

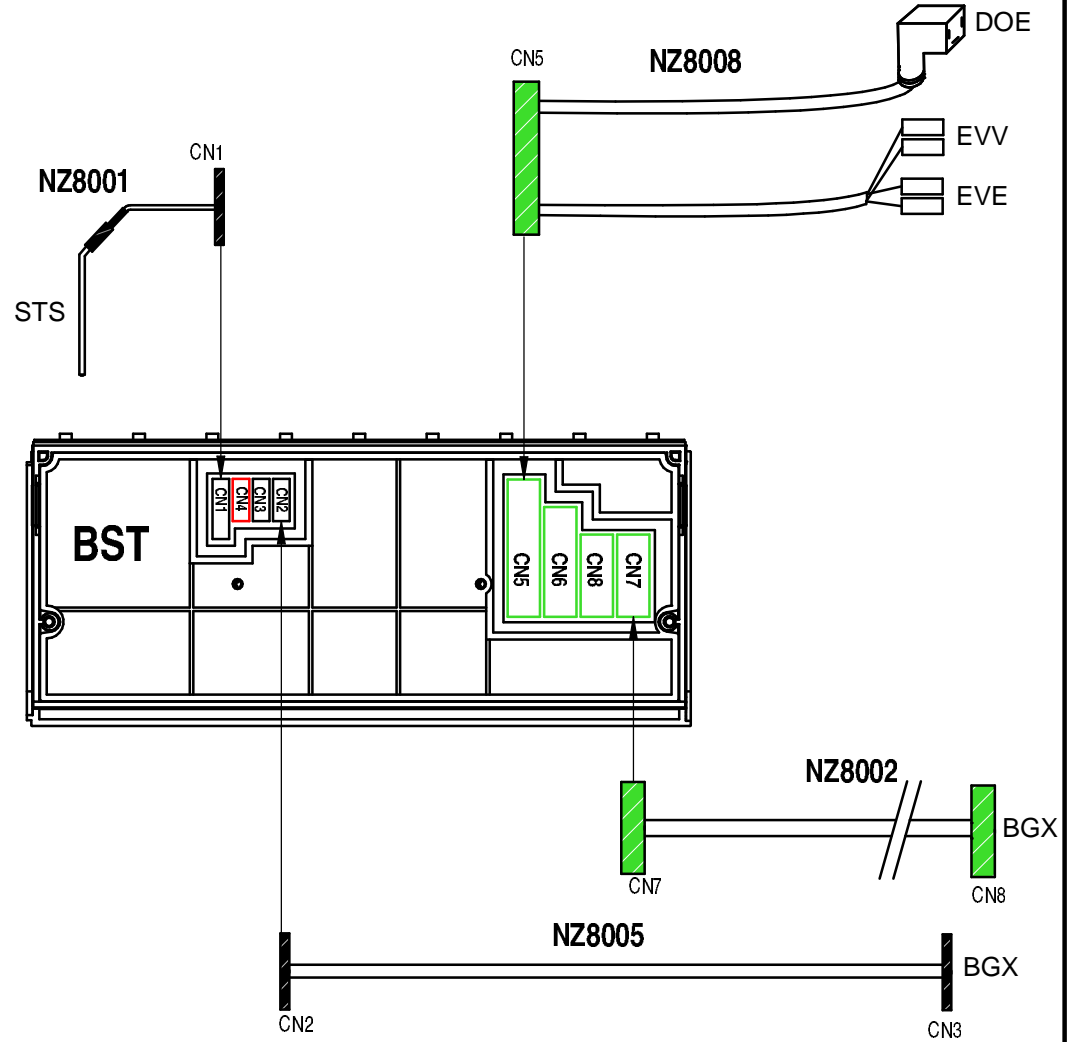
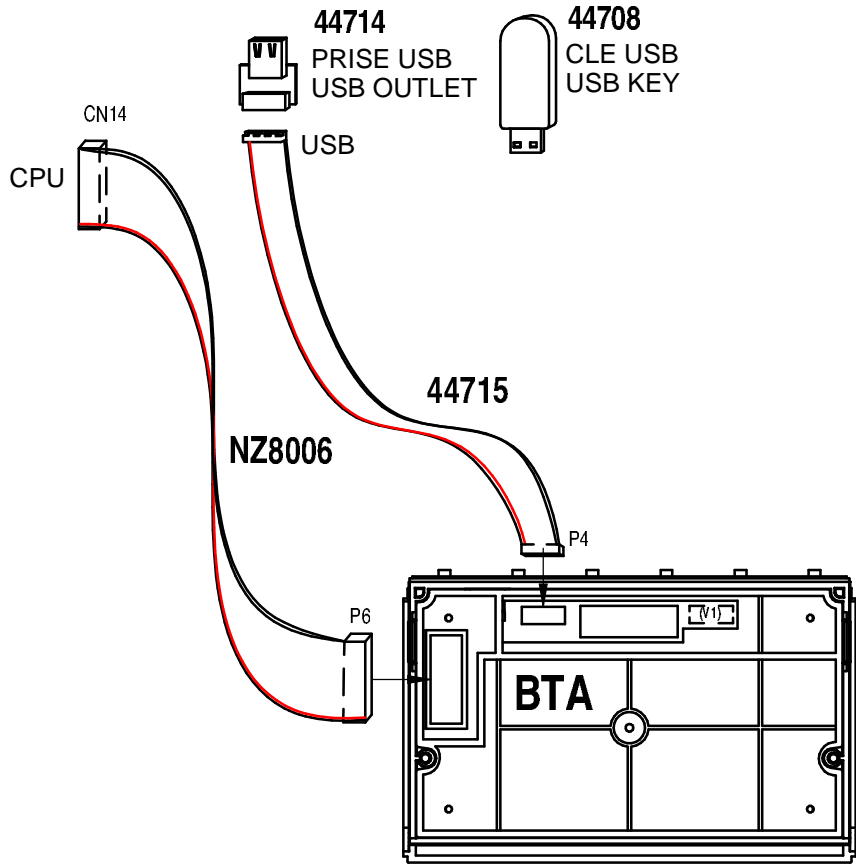
<b>REP</b>	<b>REF</b>	<b>DESIGNATION</b>	<b>DESIGNATION</b>
1	44708	clef USB	USB key
2	44714	PRISE USB	USB JACK
3	44715	CABLE LIAISON USB	USB JACK CABLE
4	NZ8001	SONDE VAPEUR THERMOSTATEE	THERMOSTATED STEAM PROBE
	NZ8015	SONDE VAPEUR THERMOSTATEE V+	V+ THERMOSTATED STEAM PROBE
5	NZ8002	CABLE ALIMENTATION 24V BGX/BGX	24V SUPPLY BGX/BGX CABLE
6	NZ8005	CABLE LIAISON 485 BGX/BGX	LINK 485 BGX/BGX CABLE
7	NZ8006	CABLE LIAISON CPU/BTA	LINK CPU/BTA CABLE
8	NZ8008	CABLE BST	BST CABLE
	NZ8009	CABLE BST VERSION ROBINET	BST TAP VERSION CABLE

06/2011

**CONNEXIONS BOITIER BTA & BST  
BTA & BST BOX CONNECTION**

**UNICE**

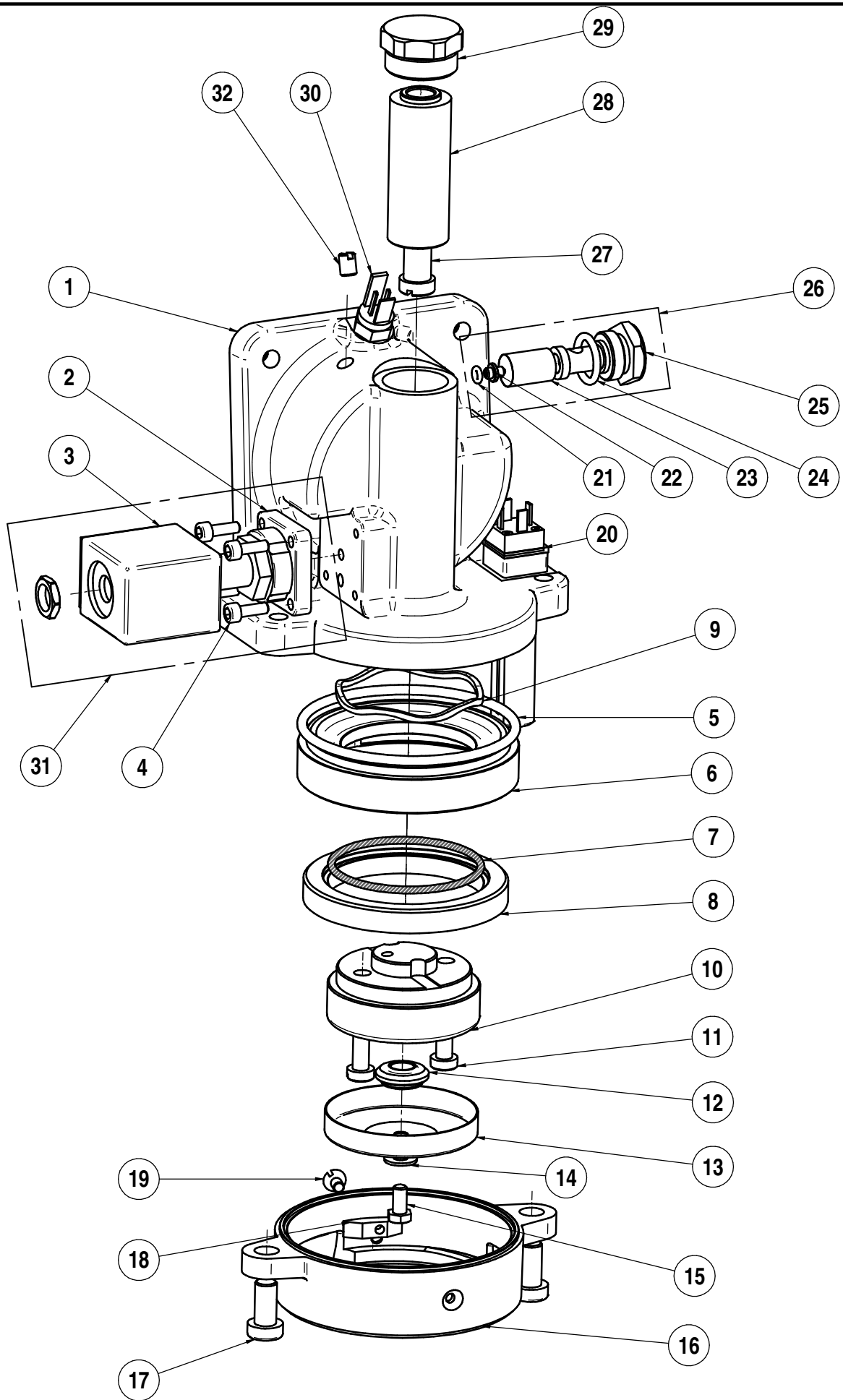
**230**



**PLANCHE/PLATE : 240**

REP	REF	DESIGNATION	DESIGNATION
1	NZ4001	CORPS DE GROUPE	UNIT BODY
2	PI-45X	ELECTROV. 3V SANS BOBINE	ELECTROVALVE 3W WITHOUT COIL
3	35012	BOBINE 24V	SOLENOID COIL 24V
4	MI-80	VIS TCHC M4x12 INOX	SCREW M4 X 12
5	27718	JOINT PISTON MOBILE 3.53 X 74.61	O RING 3.53 X 74.61
6	NZ4008	PISTON MONOGROUPE	SINGLE GROUP PISTON
7	27800	JOINT TORIQUE 2.62 X 52.07 NBR	GASKET 2.62 X 52.07
8	PC-17	JOINT DE COUPE 57 x 75 x 9	HEAD GASKET 9mm
9	28828	RONDELLE RESSORT BORRELLY	WASHER SPRING BORRELLY
10	NZ4007	TASSOIR MONOGROUPE	SINGLE GROUP COMPACTOR
11	50304	VIS TC M6X25 INOX	S.STEEL SCREW M6X25
12	31910	RONDELLE DIFFUSEUR GROUPE	WASHER DIFFUSER
13	ID-103	FILTRE TASSOIR	PACKER FILTER
14	51600	RONDELLE INOX MOYENNE DE 5	WASHER
15	50204	VIS TH M5 x 10 INOX	SCREW M5 X 10
16	NZ4011	PORTE COUPE BUTEE	BOWL HOLDER
17	50401	VIS TCHC TETE BASSE M8X16 INOX	S.STEEL SCREW M8 X 16
18	NZ4012	BUTEE DE COUPE	FILTER HOLDER STOP
19	CN-128	VIS INOX TF M4 X 8	SCREW M4 X 8
20	44720	CAPTEUR DE COUPE COMPLET	FILTER HOLDER SENSOR KIT
21	TC-80	JOINT TORIQUE 1,78X2,90 FKM	GASKET 1.78X2.90 FKM
22	23117	GICLEUR DIAM:0,7	JET DIAM. 0.7
23	CF-326	FILTRE INOX D.int=12 H=17,5	FILTER D:12 H:17,5
24	PH-54	JOINT TORIQUE 2,62X13,95 EPDM	O RING - 13.95 x 2.62
25	23100	PORTE GICLEUR	GICLUER HOLDER
26	23127	KIT PORTE GICLEUR Ø0.7	GICLUER Ø 0.7 KIT
27	NZ4016	VIS POU MON GR STELLA	CHAMBER SCREW
28	NZ4010	ENTRETOISE POU MON	CHAMBER SPACER
29	NZ4009	BOUCHON GROUPE	UNIT CAP
30	34410	SONDE THERMOSTATIQUE	THERMOSTATIC PROBE
31	35035	ELECTROVANNE 3V 24V	ELECTROVALVE 3W 24V
32	PH-47	VIS ST M6x8 LAITON	SCREW M6 X 8

Pour les machines NSF: prière de se reporter à la première page de la section pour les références spécifiques  
 For NSF machines: please refer to the first page of this chapter for specific references

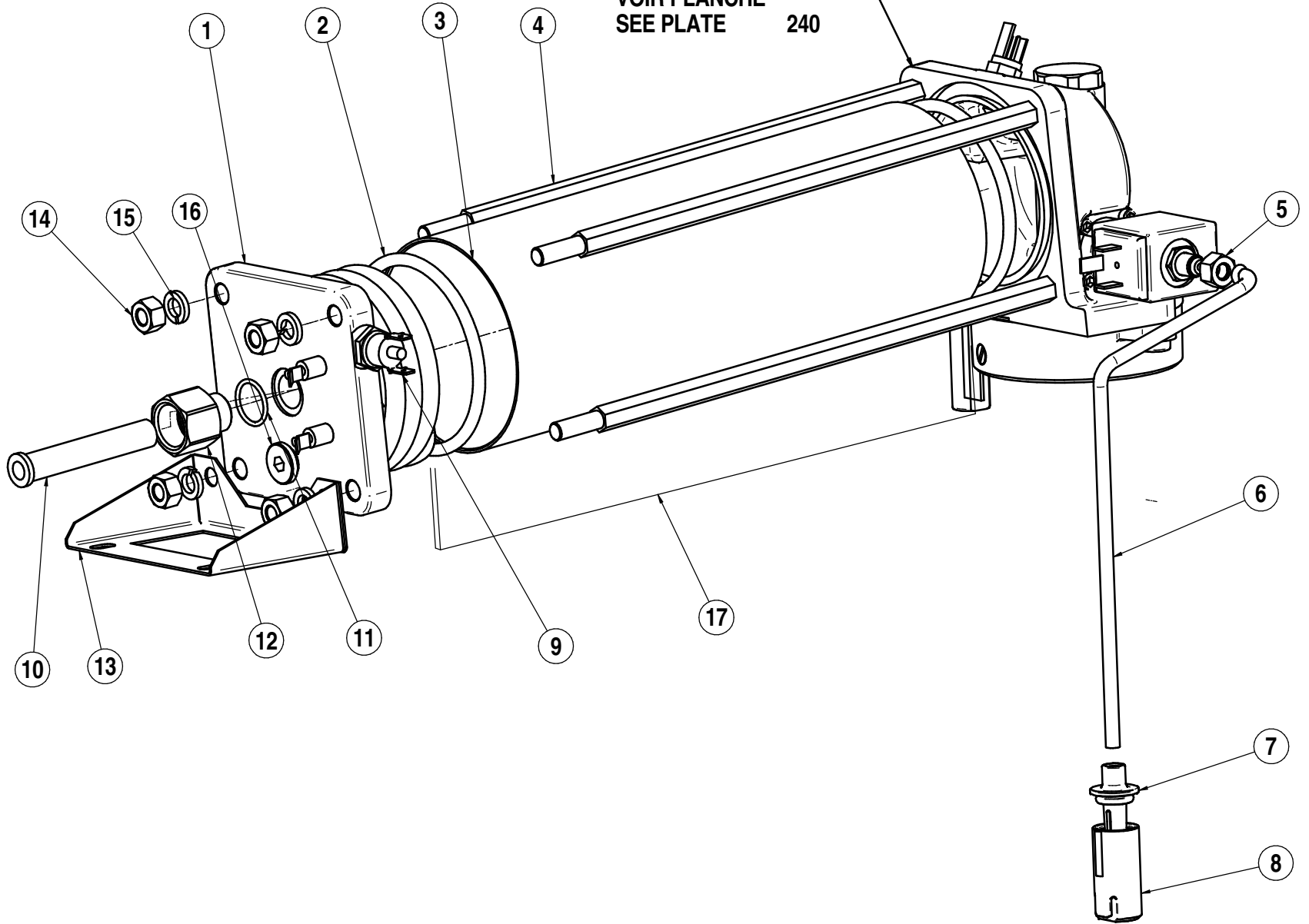


**PLANCHE/PLATE : 250**

<b>REP</b>	<b>REF</b>	<b>DESIGNATION</b>	<b>DESIGNATION</b>
1	29805	ELEMENT CHAUFFANT 230V 2000W	HEATING ELEMENT 230V-2000W
2	28000	JOINT TORIQUE 5,34X78,74	O RING 5,34X78,74
3	29040	TUBE CHAUDIERE Ø95	BOILER TUBE Ø95
4	NZ4003	COLONNETTE CHAUDIERE	BOILER SCREW
5	24455	ECROU 1/8	NUT 1/8
6	NZ6000	TUBE DECOMPRESSION	DECOMPRESSION PIPE
	NZ6001	TUBE DECOMPRESSION V+	DECOMPRESSION V+ PIPE
7	DV7040	EMBOUT DE DECOMPRESSION	DECOMPRESSION TIP
8	DV7041	CORPS EMBOUT DE DECOMPRESSION	DECOMPRESSION TIP HOUSING
9	34200	THERMOSTAT DE SECURITE 135°C	SAFETY THERMOSTAT 135°C
10	DV4000	TUBE TEFLON ALIM. GROUPE L:72	UNIT FEEDING TUBE
11	27716	JOINT TORIQUE 1,78 X 17.17 FKM	GASKET 1,78 X 17.17
12	20964	RACCORD 3/8M 1/2F	CONNECTION 3/8M 1/2F
13	NZ2000	SUPPORT AR CHAUDIERE	BOILER SUPPORT
14	PE-12	ECROU M8	NUT M8
15	RR-83	RONDELLE GROVER DE 8	WASHER 8
16	21103	BOUCHON 1/4	PLUG 1/4
17	85205	ISOLANT CHAUDIERE	BOILER INSULATOR

Pour les machines NSF: prière de se reporter à la première page de la section pour les références spécifiques  
 For NSF machines: please refer to the first page of this chapter for specific references

VOIR PLANCHE  
SEE PLATE 240



05/2012

CHAUDIERE GROUPE  
GROUP BOILER

**JNICE**

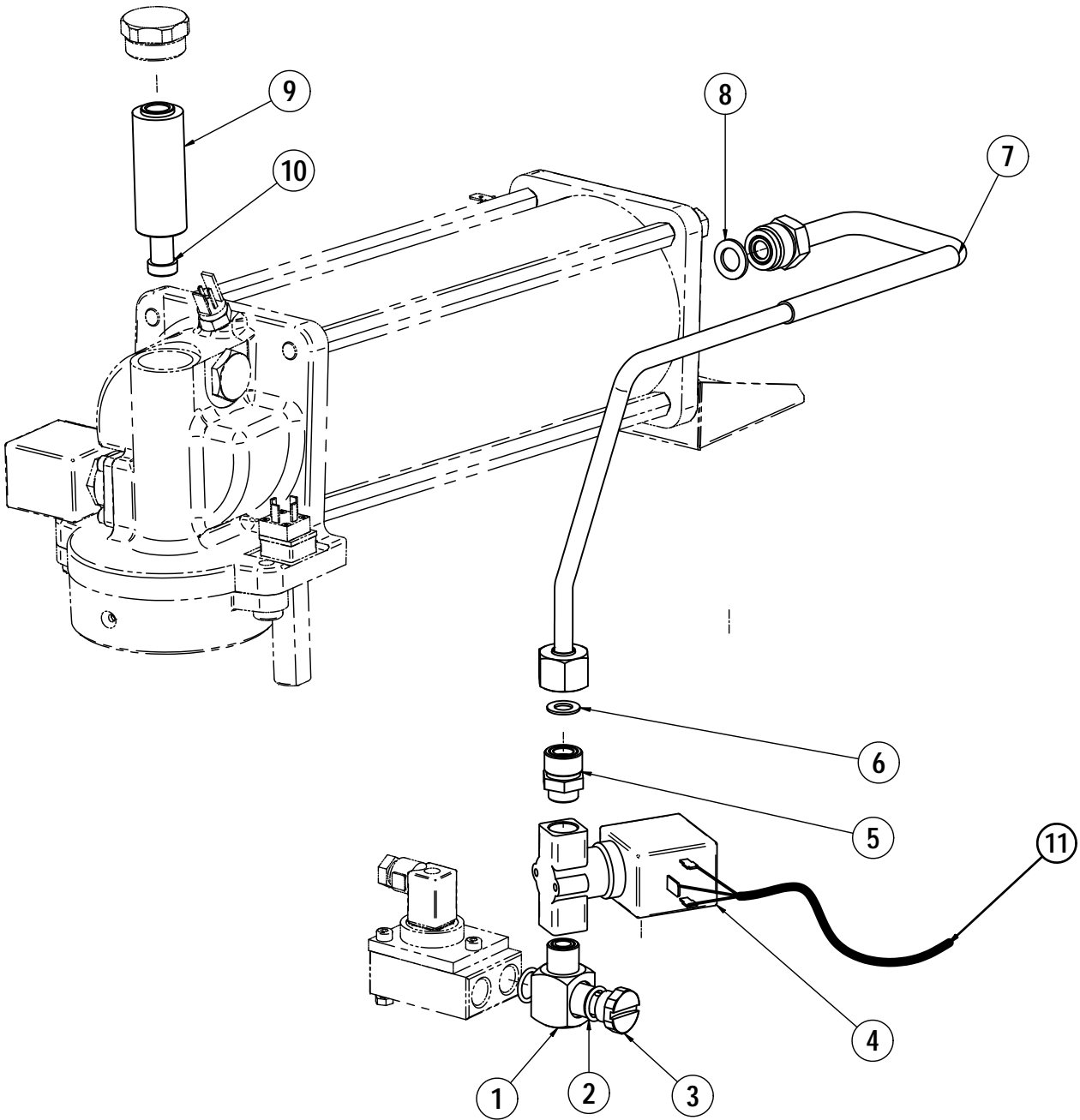
250



**PLANCHE/PLATE : 251**

<b>REP</b>	<b>REF</b>	<b>DESIGNATION</b>	<b>DESIGNATION</b>
1	23761	CORPS DE BANJO 1/4	BANJO BODY 1/4
2	PA-96	JOINT TORIQUE 1,78X12,42 EPDM	GASKET 1.78 X 12.42
3	23760	AXE BANJO 1/4	BANJO SCREW 1/4
4	35532	ELECTROVANNE 2V 24V N.O Ø2	ELECTROVALVE 2W 24V OPEN
5	CN-441A	RACCORD 1/4M-3/8M	CONNECTION 1/4-3/8
6	CH-16	JOINT CUIVRE RECUIT 3/8	WASHER - COPPER - 3/8
7	NZ6018	TUBE ALIM. GROUPE PRE INFUSION	PRE BREWING UNIT FEEDING PIPE
8	CH-17	JOINT CUIVRE RECUIT 1/2	WASHER - COPPER - 1/2
9	NZ4010	ENTRETOISE POU MON	CHAMBER SPACER
10	NZ4016	VIS POU MON GR STELLA	CHAMBER SCREW
11	NZ8050	CABLE PRE-INFUSION EVP	PRE-INFUSION EVP CABLE

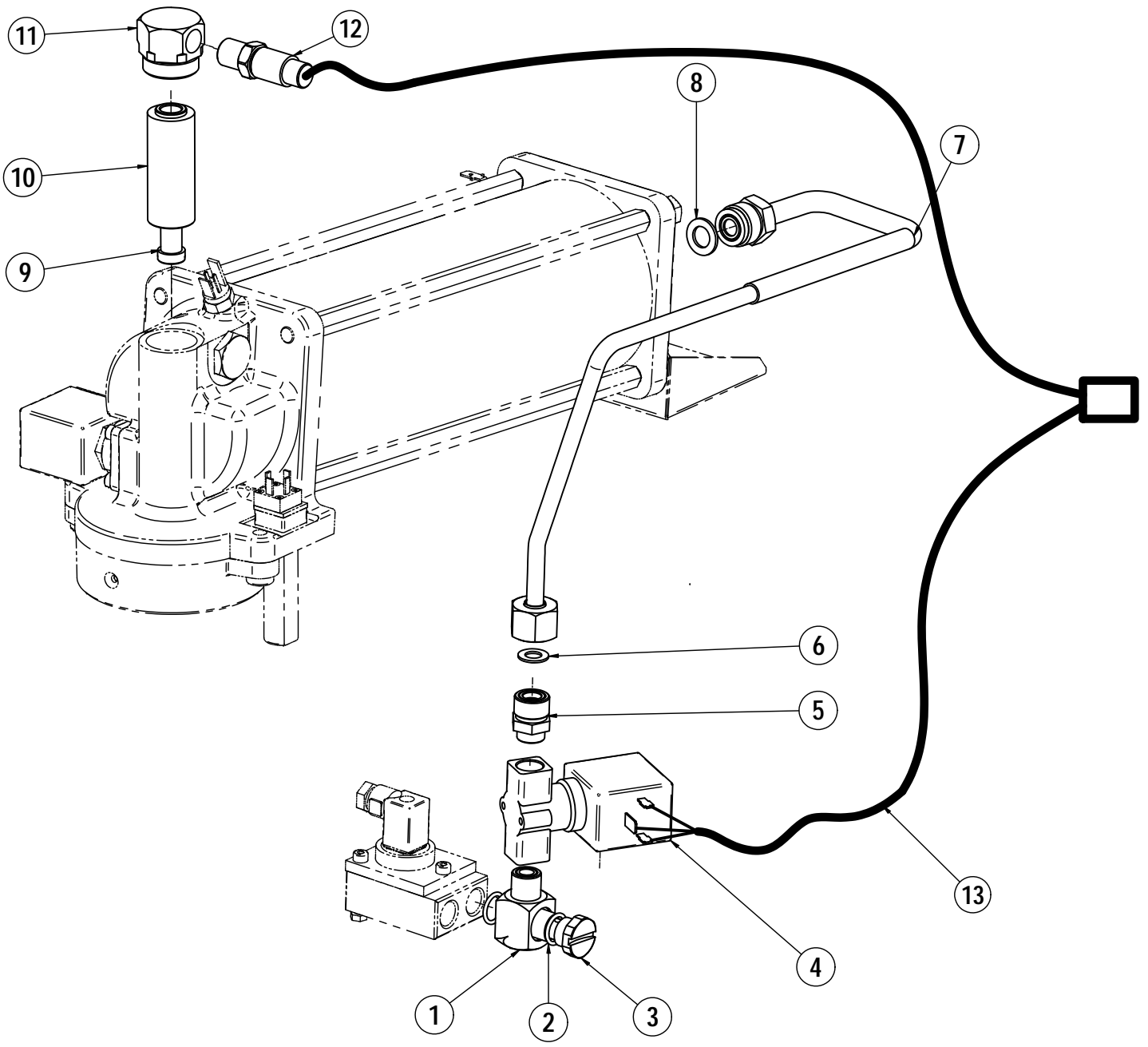
Pour les machines NSF: prière de se reporter à la première page de la section pour les références spécifiques  
 For NSF machines: please refer to the first page of this chapter for specific references



**PLANCHE/PLATE : 252**

<b>REP</b>	<b>REF</b>	<b>DESIGNATION</b>	<b>DESIGNATION</b>
1	23761	CORPS DE BANJO 1/4	BANJO BODY 1/4
2	PA-96	JOINT TORIQUE 1,78X12,42 EPDM	GASKET 1.78 X 12.42
3	23760	AXE BANJO 1/4	BANJO SCREW 1/4
4	35532	ELECTROVANNE 2V 24V N.O Ø2	ELECTROVALVE 2W 24V OPEN
5	CN-441A	RACCORD 1/4M-3/8M	CONNECTION 1/4-3/8
6	CH-16	JOINT CUIVRE RECUIT 3/8	WASHER - COPPER - 3/8
7	NZ6018	TUBE ALIM. GROUPE PRE INFUSION	PRE BREWING UNIT FEEDING PIPE
8	CH-17	JOINT CUIVRE RECUIT 1/2	WASHER - COPPER - 1/2
9	NZ4016	VIS POU MON GR STELLA	CHAMBER SCREW
10	NZ4010	ENTRETOISE POU MON	CHAMBER SPACER
11	NZ4015	BOUCHON GROUPE CAPTEUR	SENSOR UNIT CAP
12	36510	CAPTEUR DE PRESSION 0-16b	0-16b PRESSURE SENSOR
13	NZ8049	CABLE PRE-INFUSION EVP + CPX	PRE-INFUSION EVP + CPX CABLE

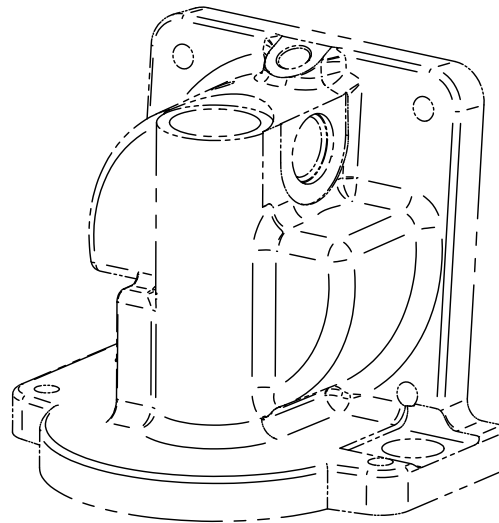
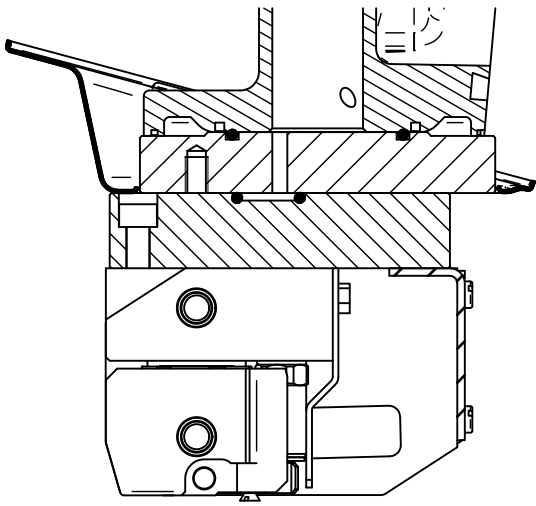
Pour les machines NSF: prière de se reporter à la première page de la section pour les références spécifiques  
 For NSF machines: please refer to the first page of this chapter for specific references



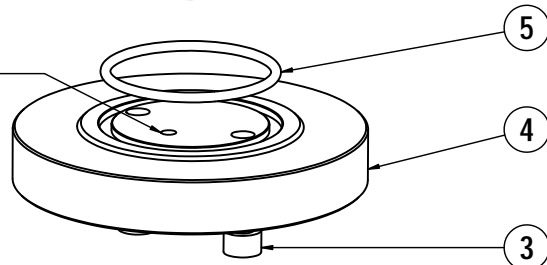
**PLANCHE/PLATE : 255**

<b>REP</b>	<b>REF</b>	<b>DESIGNATION</b>	<b>DESIGNATION</b>
1	CS4043	INTERFACE INFERIEURE	LOWER INTERFACE
2	PH-54	JOINT TORIQUE 2,62X13,95 EPDM	O RING - 13.95 x 2.62
3	N-33	VIS CHC M6X20 INOX	S.S. SCREW M6X20
4	CS4042	INTERFACE SUPERIEURE	UPPER INTERFACE
5	27824	JOINT TORIQUE 2.62 X 42.52	O-RING 2.62 X 42.52

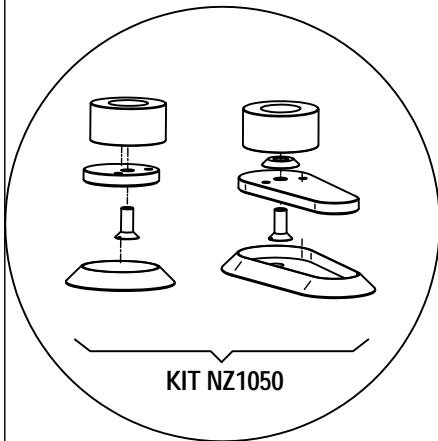
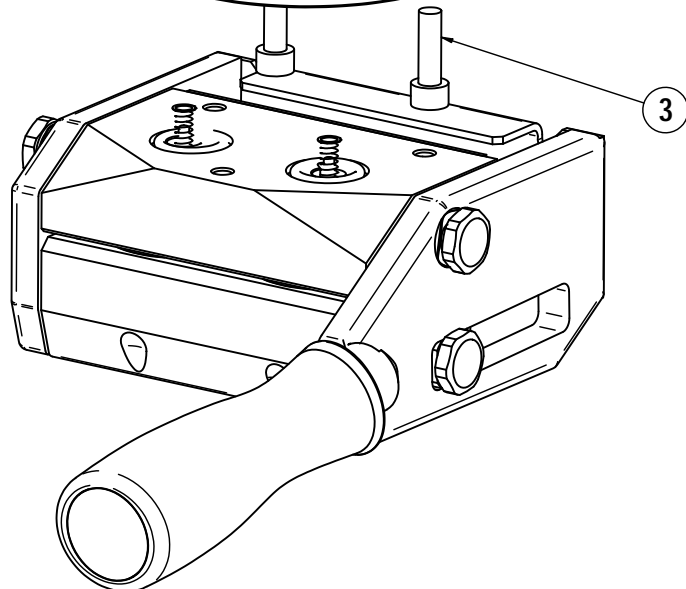
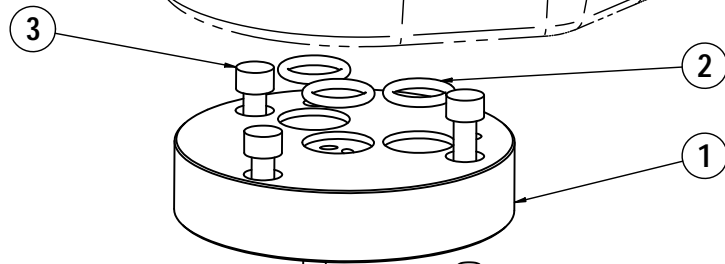
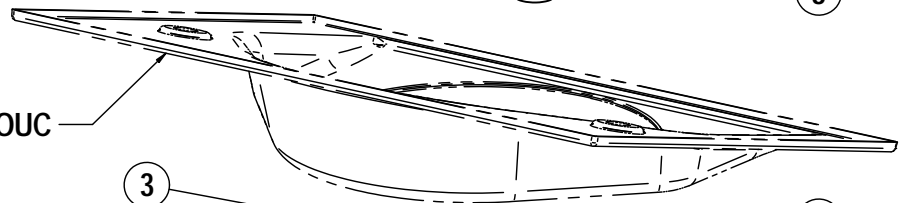
Pour les machines NSF: prière de se reporter à la première page de la section pour les références spécifiques  
For NSF machines: please refer to the first page of this chapter for specific references



Ø4 DEVANT / IN FRONT



SANS LE JOINT CAOUTCHOUC  
WITHOUT RUBBER RING



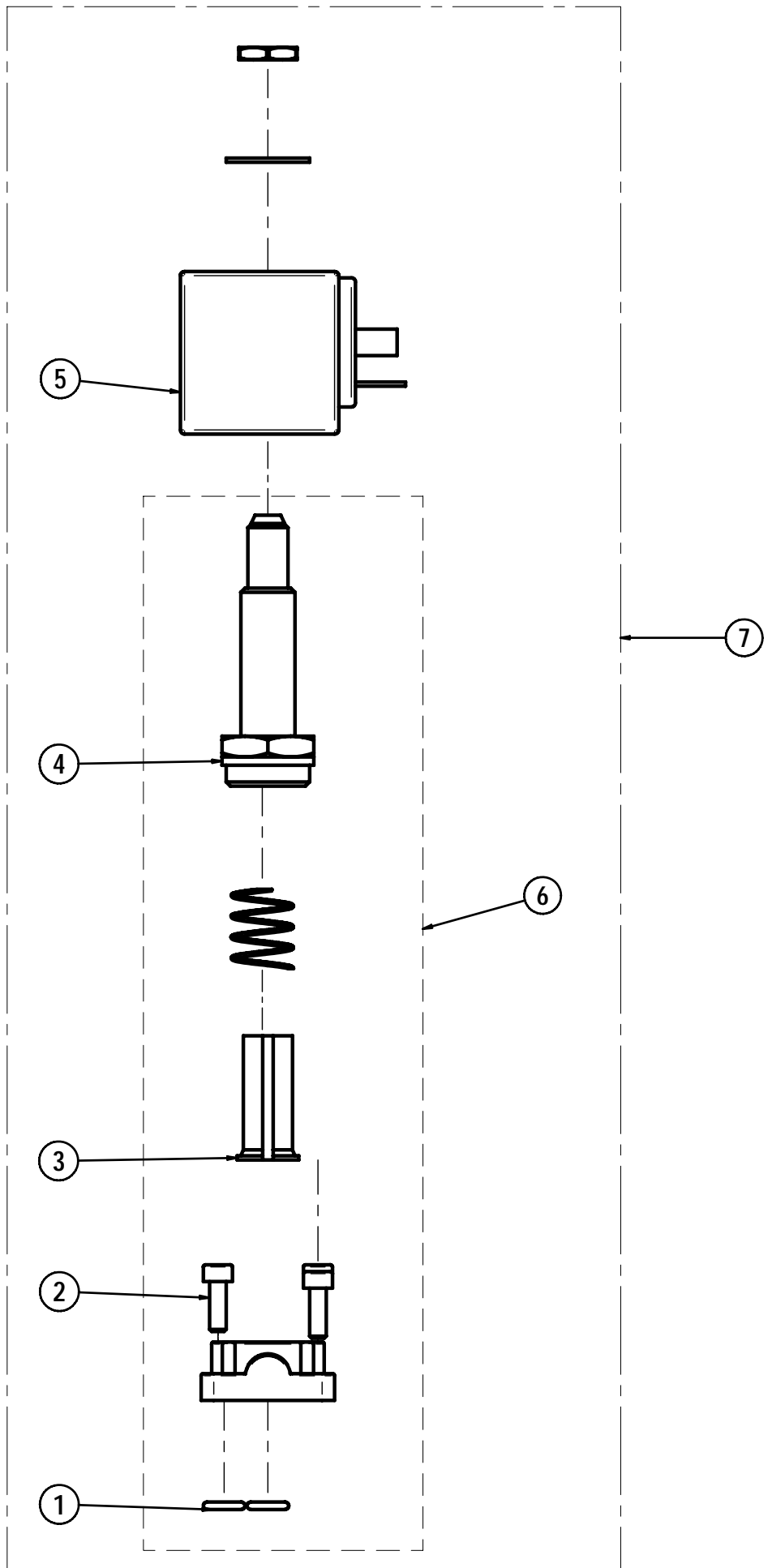
KIT NZ1050

NOTA:  
PIEDS HAUTS OU KIT NZ1050 ANTI-BASCULEMENT OBLIGATOIRES  
LONG FEET OR ANTI-SHIFT KIT NZ1050 MANDATORY

**PLANCHE/PLATE : 260**

<b>REP</b>	<b>REF</b>	<b>DESIGNATION</b>	<b>DESIGNATION</b>
1	27717	JOINT TORIQUE 1,78 X 6,07	GASKET 1.78 X 6.07
2	MI-80	VIS TCHC M4x12 INOX	SCREW M4 X 12
3	ID-60	NOYAU ELECTROVANNE O.D.E. NM	SOLENOID PISTON - GROUP
4	35006	CORPS DEPHASEUR EV. 3V	SOLENOID CASING - GROUP
5	35012	BOBINE 24V	SOLENOID COIL 24V
6	PI-45X	ELECTROV. 3V SANS BOBINE	ELECTROVALVE 3W WITHOUT COIL
7	35035	ELECTROVANNE 3V 24V	ELECTROVALVE 3W 24V

Pour les machines NSF: prière de se reporter à la première page de la section pour les références spécifiques  
For NSF machines: please refer to the first page of this chapter for specific references





**PLANCHE/PLATE : 280**

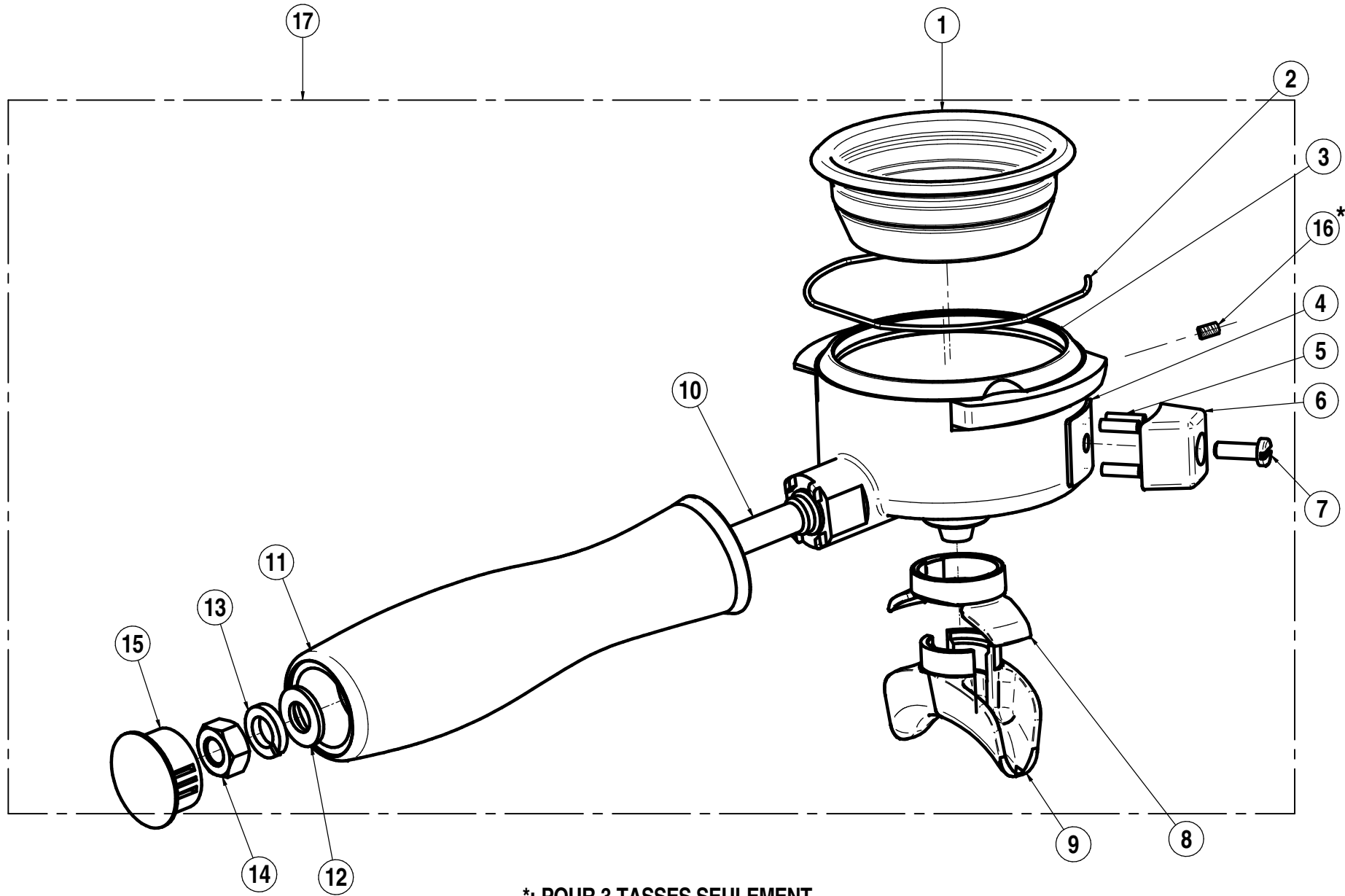
REP	REF	DESIGNATION	DESIGNATION
1	33420	FILTRE 1 TASSE	1 CUP FILTER
	33424	FILTRE 2 TASSES PENTAGONAL	2 CUPS FILTER
	PA-38	FILTRE TROIS TASSES	3 CUP FILTER
2	PA-85A	RESSORT DE COUPE DIAM:1.3	FILTER SPRING DIAM:1.3
3	33102	COUPE NUE	FILTER HOLDER BODY
	33103	COUPE NUE POUR CAPTEUR	FILTER HOLDER BODY WITH SENSOR
4	DO-95	JOINT PORTE-AIMANTS	MAGNET HOLDER JOINT
5	DO-54	AIMANT DIAM 3 L:10mm	MAGNET DIA:3 L:10mm
6	DO-2	PORTE AIMANT	MAGNET HOLDER
7	DO-195	VIS ACIER INOX TC 4 X 12	SCREW M4 X 12
8	33384	OBTURATEUR BEC 1T	1 CUP OBTURATOR
	33385	OBTURATEUR BEC 2T	2 CUPS OBTURATOR
9	33381	BEC 1 T CHROME	1 CUP SPOUT
	33382	BEC 2T CHROME	2 CUPS SPOUT
	PH-34	BEC 3 TASSES CHROME	3 CUP SPOUT
10	33147	AXE POIGNEE DE COUPE	AXLE FOR HANDLE
11	33146	POIGNEE DE COUPE	HANDLE
12	CF-199	RONDELLE ACIER ZN 8x22x1,5	STEEL WASHER 8x22x1,5
13	RR-83	RONDELLE GROVER DE 8	WASHER 8
14	PE-12	ECROU M8	NUT M8
15	33106	BOUCHON POIGNEE DE COUPE	TAP FOR HANDLE
16	CN-599	VIS STHC M3X5	SCREW STHC M3X5
17	33161	COUPE COMPLETE 1T AVEC CAPTEUR	1 CUP FILT. HOLDER WITH SENSOR
	33162	COUPE COMPLETE 2T AVEC CAPTEUR	2 CUP FILT. HOLDER WITH SENSOR
	33163	COUPE COMPLETE 3T AVEC CAPTEUR	3 CUP FILT. HOLDER WITH SENSOR
	33181	COUPE COMPLETE 1T	1 CUP FILTER HOLDER
	33182	COUPE COMPLETE 2T	2 CUPS FILTER HOLDER
	33183	COUPE COMPLETE 3T	3 CUPS FILTER HOLDER

07/2012

PORTE FILTRE  
FILTER HOLDER

**JNICE**

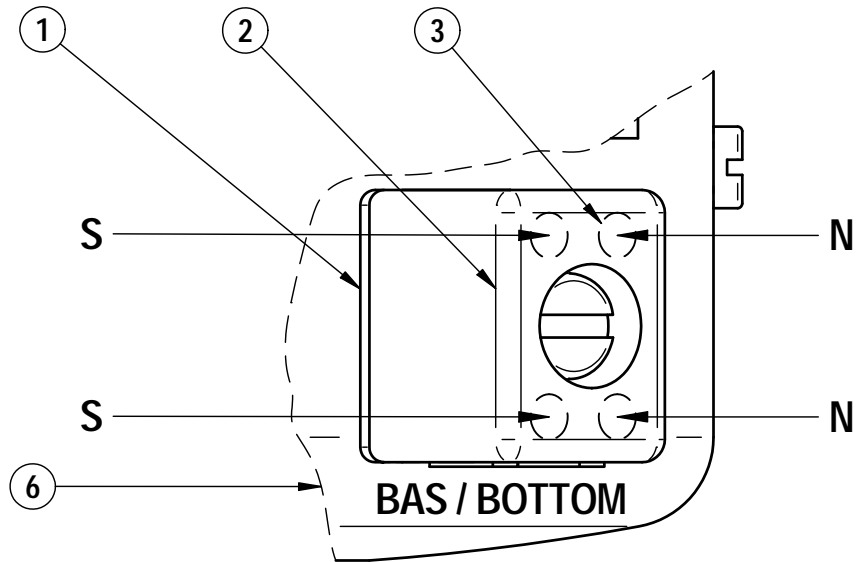
280



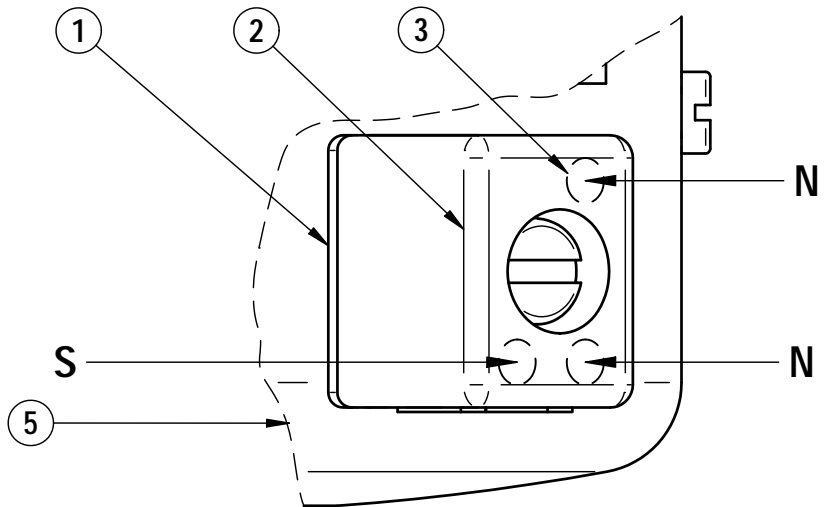
\*: POUR 3 TASSES SEULEMENT  
FOR 3 CUPS ONLY

**PLANCHE/PLATE : 290**

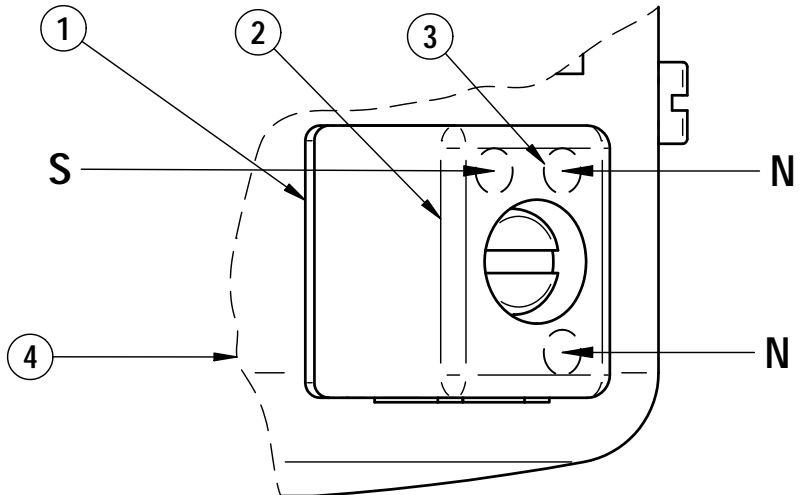
<b>REP</b>	<b>REF</b>	<b>DESIGNATION</b>	<b>DESIGNATION</b>
1	DO-95	JOINT PORTE-AIMANTS	MAGNET HOLDER JOINT
2	DO-2	PORTE AIMANT	MAGNET HOLDER
3	DO-54	AIMANT DIAM 3 L:10mm	MAGNET DIA:3 L:10mm
4	33041	PORTE AIMANT 1 T COMPLET	1 CUP MAGNET HOLDER
5	33042	PORTE AIMANT 2 T COMPLET	2 CUPS MAGNET HOLDER
6	33043	PORTE AIMANT 3 T COMPLET	3 CUPS MAGNET HOLDER



3 TASSES  
3 CUPS



2 TASSES  
2 CUPS

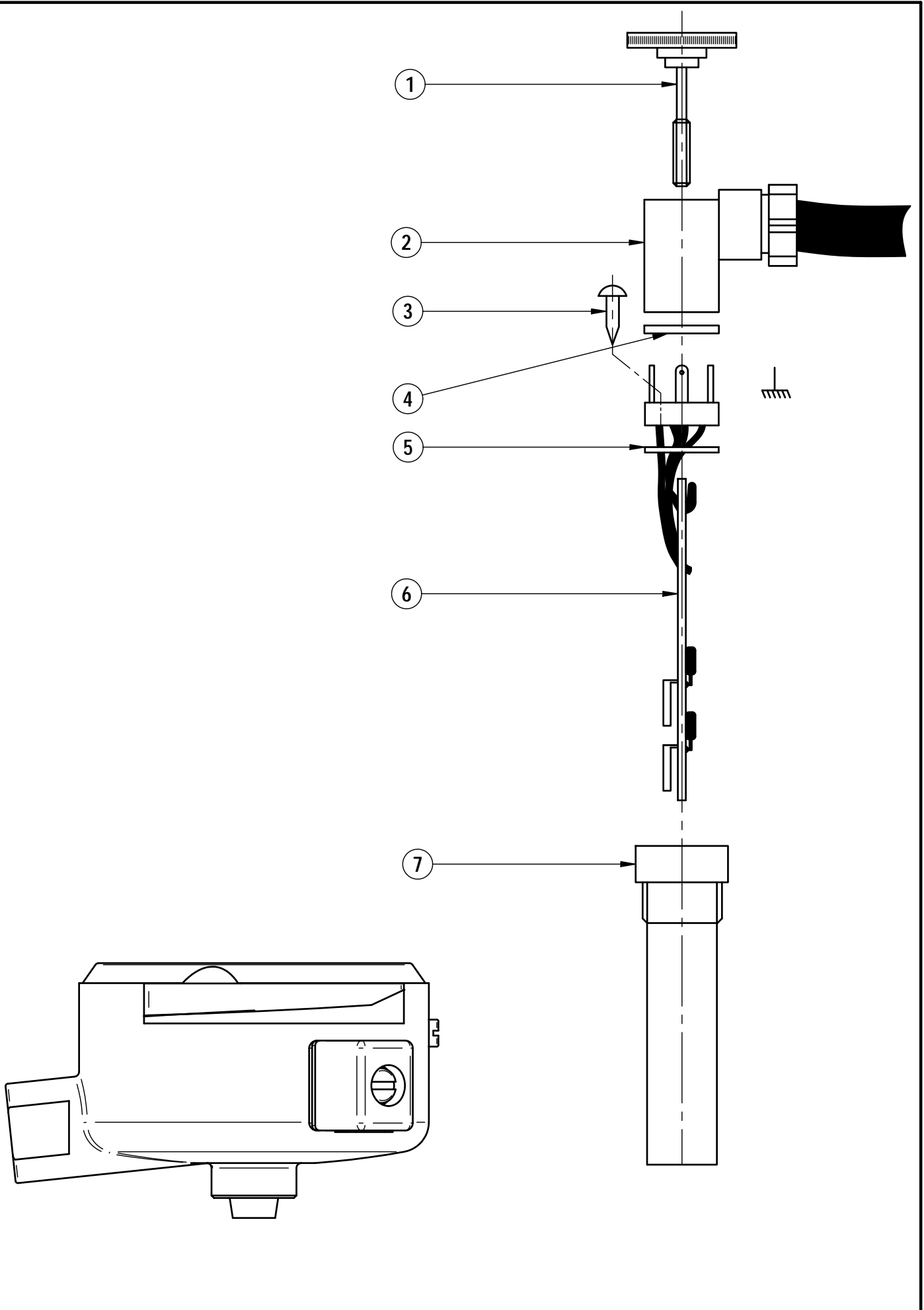


1 TASSE  
1 CUP

N = NORD / NORTH  
S = SUD / SOUTH

**PLANCHE/PLATE : 295**

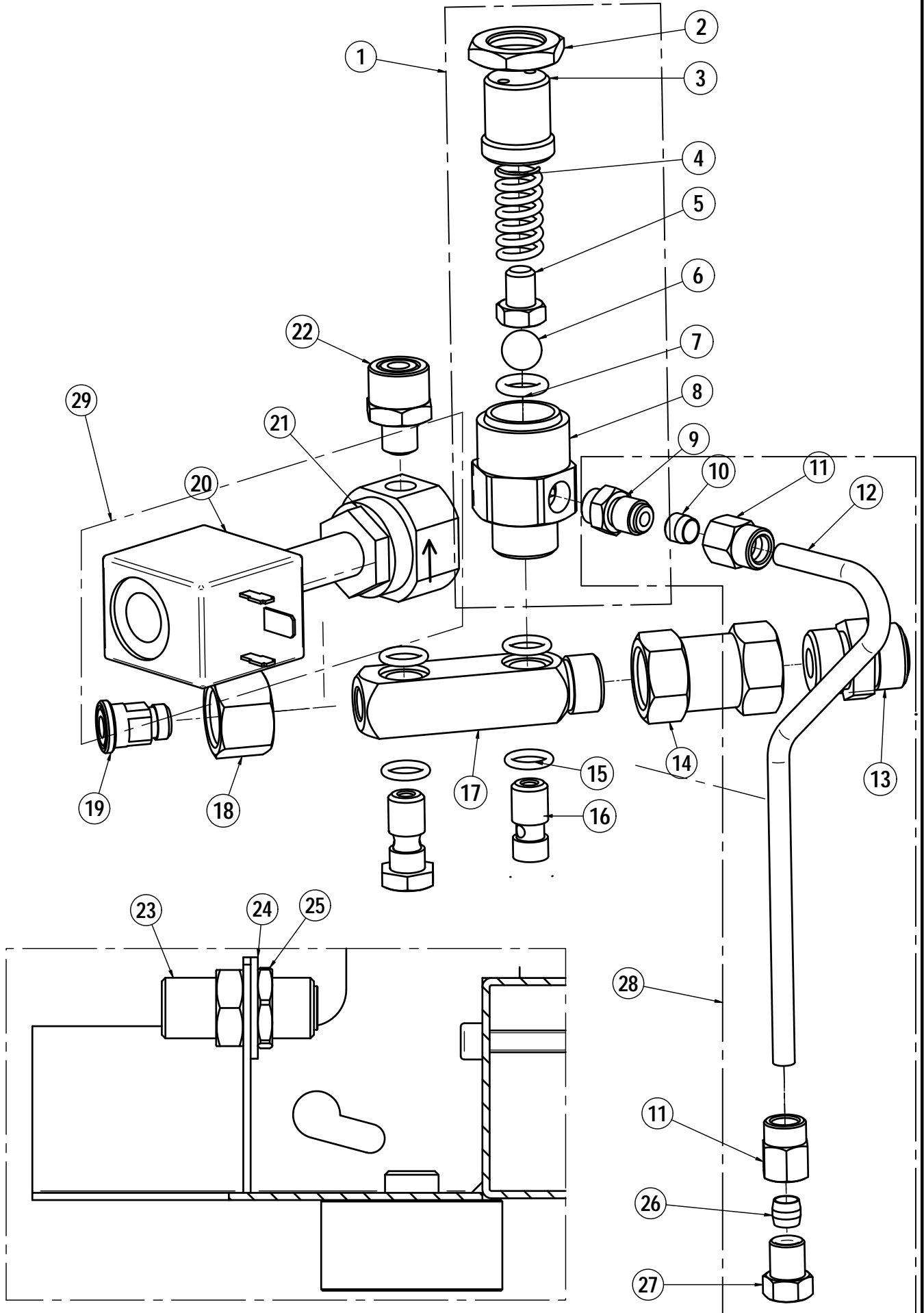
<b>REP</b>	<b>REF</b>	<b>DESIGNATION</b>	<b>DESIGNATION</b>
1	SD-3	VIS MOLETEE	CONNECTOR SCREW
2	DO-64	CONNECTEUR POUR CAPTEUR COUPE	SENSOR CONNECTOR
3	DO-18	VIS ACIER ZN PT WN 22 X 10	SENSOR-HOLDER SCREW
4	DO-113	JOINT CONNECTEUR	GASKET CONNECTOR
5	DO-3	JOINT 18/18 X 1,5	GASKET 18/18X 1.5
6	DO-52	CAPTEUR ELECTRONIQUE DE COUPE	SENSOR
7	DO-1	PORTE CAPTEUR DE GROUPE	SENSOR HOLDER



**PLANCHE/PLATE : 300**

REP	REF	DESIGNATION	DESIGNATION
1	DO-191	SOUPAPE H.P. COMPLETE	COMPLET H.P. VALVE
2	DO-190	CONTRE ECROU M18 X 100	NUT M18 X 100
3	DO-189	ECROU DE SOUPAPE	VALVE NUT
4	RO-14	RESSORT F20/10L26.5 D13 P5	SPRING
5	DO-188	TIGE DE SOUPAPE	VALVE PISTON
6	PC-14	BILLE INOX POLIE DE 11	STAINLESS STEEL BALL DIA 11
7	PH-83	JOINT TORIQUE 2,62X9,19 PTFE	O RING 9,19 X 2,62 PTFE
8	DO-187	CORPS DE SOUPAPE	VALVE BODY
9	MI-36	RACCORD 1/8M 1/8M	CONNECTION 1/8
10	MI-35	BAGUE DE SERRAGE LAITON	NIPPLE
11	MI-34	ECROU LAITON 1/8"	COMPRESSION NUT - 1/8
<b>JUSQU'À / UNTIL 05/2012</b>			
12	NZ6015	TUBE EVACUATION SOUPAPE HP	HP VALVE DRAIN TUBE
	NZ6016	TUBE EVACUATION SOUPAPE HP (V+)	HP VALVE DRAIN TUBE (V+)
13	CN-347A	RACCORD D'ALIM. 3/8 - 3/8 MM	FITTING - 3/8 X 3/8 -
14	CN-663	CLAPET ANTI RETOUR COMPACT	VALVE - NON-RETURN
15	28104	JOINT TORIQUE 2X9,5 FKM 80SH	GASKET 2X9,5
16	23751	AXE DE BANJO 1/8	BANJO SCREW
17	NZ4018	RACCORD NOURRICE	LEADER FITTING
18	PB-21	ECROU 3/8 LAITON	FITTING 3/8
19	DO-74	RACCORD SOUPAPE HP	H.P VALVE CONNECTION
20	35012	BOBINE 24V	SOLENOID COIL 24V
21	CN631-W	ELECTROVANNE 2V REG 24V50-60HZ	ELECTROVALVE 2W ADJ. 24V50-60HZ
22	R-100	RACCORD LAITON	CONNECTION
23	20951	RACCORD 3/8M-3/8M	FITTING 3/8M-3/8M
24	CN-544	RONDELLE ACIER ZN 17 x 28 x 2	WASHER
25	NA-18	ECROU LAITON 3/8 6 mm	3/8 NUT
26	21400	BAGUE BICONE D6	NIPPLE D6
27	21350	RACCORD 1/8 MALE A SERTIR	FITTING 1/8
<b>DEPUIS / FROM 06/2012</b>			
28	NZ6024	TUBE RILSAN SOUPLE SOUPAPE HP	HP VALVE FLEXIBLE DRAIN TUBE
	NZ6025	TUBE RILSAN SOUPLE SOUPAPE HP (V+)	HP VALVE FLEXIBLE DRAIN TUBE (V+)
29	CN-631R	ELECTROVANNE 2V REG 24V50-60HZ	ELECTROVALVE 2W ADJ. 24V50-60HZ

Pour les machines NSF: prière de se reporter à la première page de la section pour les références spécifiques  
For NSF machines: please refer to the first page of this chapter for specific references





**PLANCHE/PLATE : 310**

<b>REP</b>	<b>REF</b>	<b>DESIGNATION</b>	<b>DESIGNATION</b>
1	36510	CAPTEUR DE PRESSION 0-16b	0-16b PRESSURE SENSOR
2	CN-618	JOINT CUIVRE 1/4	GASKET - 1/4
3	NZ6012	TUBE CAPTEUR RESEAU	NETWORK SENSOR PIPE
4	CH-16	JOINT CUIVRE RECUIT 3/8	WASHER - COPPER - 3/8
5	NZ6007	RAMPE DOSEUR EAU	WATER DOSER PIPE
6	CH-17	JOINT CUIVRE RECUIT 1/2	WASHER - COPPER - 1/2
7	NZ6006	TUBE ALIMENTATION GROUPE	UNIT FEEDING PIPE
8	NZ6008	RAMPE DOSEUR ET ENTREE EAU	WATER FEEDING & DOSER PIPE
9	NZ6011	TUBE REMPLISSAGE CHAUDIERE	BOILER FEEDING PIPE
10	23760	AXE BANJO 1/4	BANJO SCREW 1/4
11	PA-96	JOINT TORIQUE 1,78X12,42 EPDM	GASKET 1.78 X 12.42
12	CN-648	COMPTEUR VOLUMETRIQUE	WHOLE W.DOSING DEVICE
13	DV-172	JOINT	GASKET
14	DV-44	VIS TH M4X10 ACIER	SCREW M4x10
15	NZ1002	NOURRICE ALIMENTATION EAU	WATER FEEDING UNIT
16	23761	CORPS DE BANJO 1/4	BANJO BODY 1/4
17	35532	ELECTROVANNE 2V 24V N.O Ø2	ELECTROVALVE 2W 24V OPEN
18	CN-441A	RACCORD 1/4M-3/8M	CONNECTION 1/4-3/8
19	NZ6018	TUBE ALIM. GROUPE PRE INFUSION	PRE BREWING UNIT FEEDING PIPE

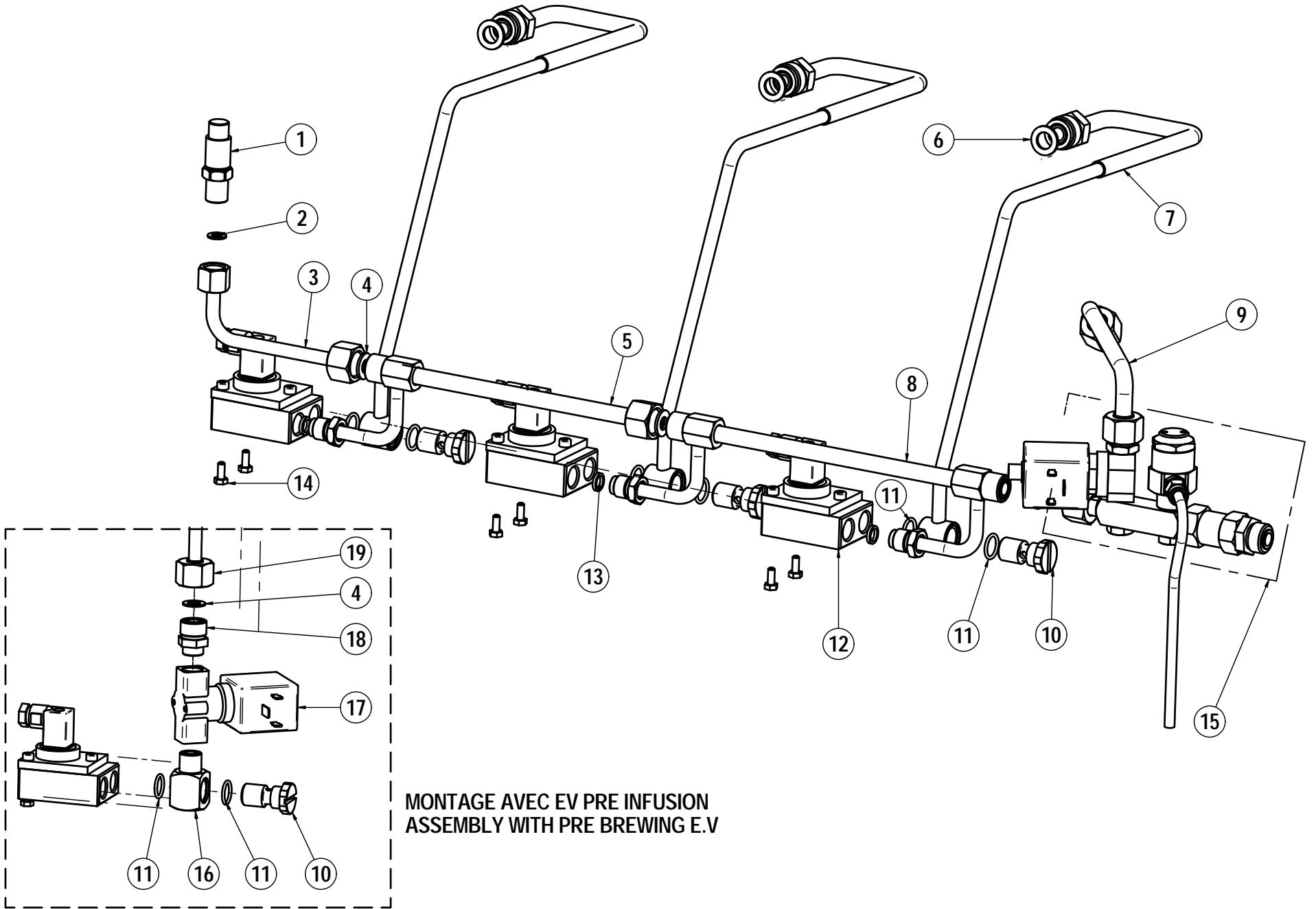
Pour les machines NSF: prière de se reporter à la première page de la section pour les références spécifiques  
 For NSF machines: please refer to the first page of this chapter for specific references

11/2013

DOSEURS D'EAU  
WATER DOSING DEVICE

**JNICE**

310



MONTAGE AVEC EV PRE INFUSION  
ASSEMBLY WITH PRE BREWING E.V

**PLANCHE/PLATE : 320**

<b>REP</b>	<b>REF</b>	<b>DESIGNATION</b>	<b>DESIGNATION</b>
1	29815	CACHE RESISTANCE	INSULATOR BOOT
2	CV-3	VIS TH M8 x 20 INOX	S.STEEL SCREW M8 x 20
3	CF-199	RONDELLE ACIER ZN 8x22x1,5	STEEL WASHER 8x22x1,5
4	29813	ELEMENT CHAUFFANT 230V 6555W	HEATING ELEMENT 230V 6555W
5	RR-83	RONDELLE GROVER DE 8	WASHER 8
6	CH-16	JOINT CUIVRE RECUIT 3/8	WASHER - COPPER - 3/8
7	CH-7	ECROU 3/8 LAITON	NUT 3/8
8	29042	CHAUDIERE VAPEUR 2GR	STEAM BOILER 2 UNITS
	29043	CHAUDIERE VAPEUR 3GR	STEAM BOILER 3 UNITS
	29044	CHAUDIERE VAPEUR 4GR	STEAM BOILER 4 UNITS
9	27200	SOUPAPE VAPEUR 3,5 BARS	LP VALVE 1/8
10	NA-69A	PORTE SONDE EN LAITON	PROBE HOLDER CONNECTION
11	NA-71	PORTE-ELECTRODE EN TEFLON	LEVEL PROBE INSULATION
12	NA-70	BLOCAGE ELECTRODE NIVEAU AUTO	LEVEL PROBE COMPRESSION NUT
13	CN-670	SONDE NIVEAU L=130	LEVEL PROBE L=130
14	26515	SONDE DE NIVEAU L=150	LEVEL PROBE L=150

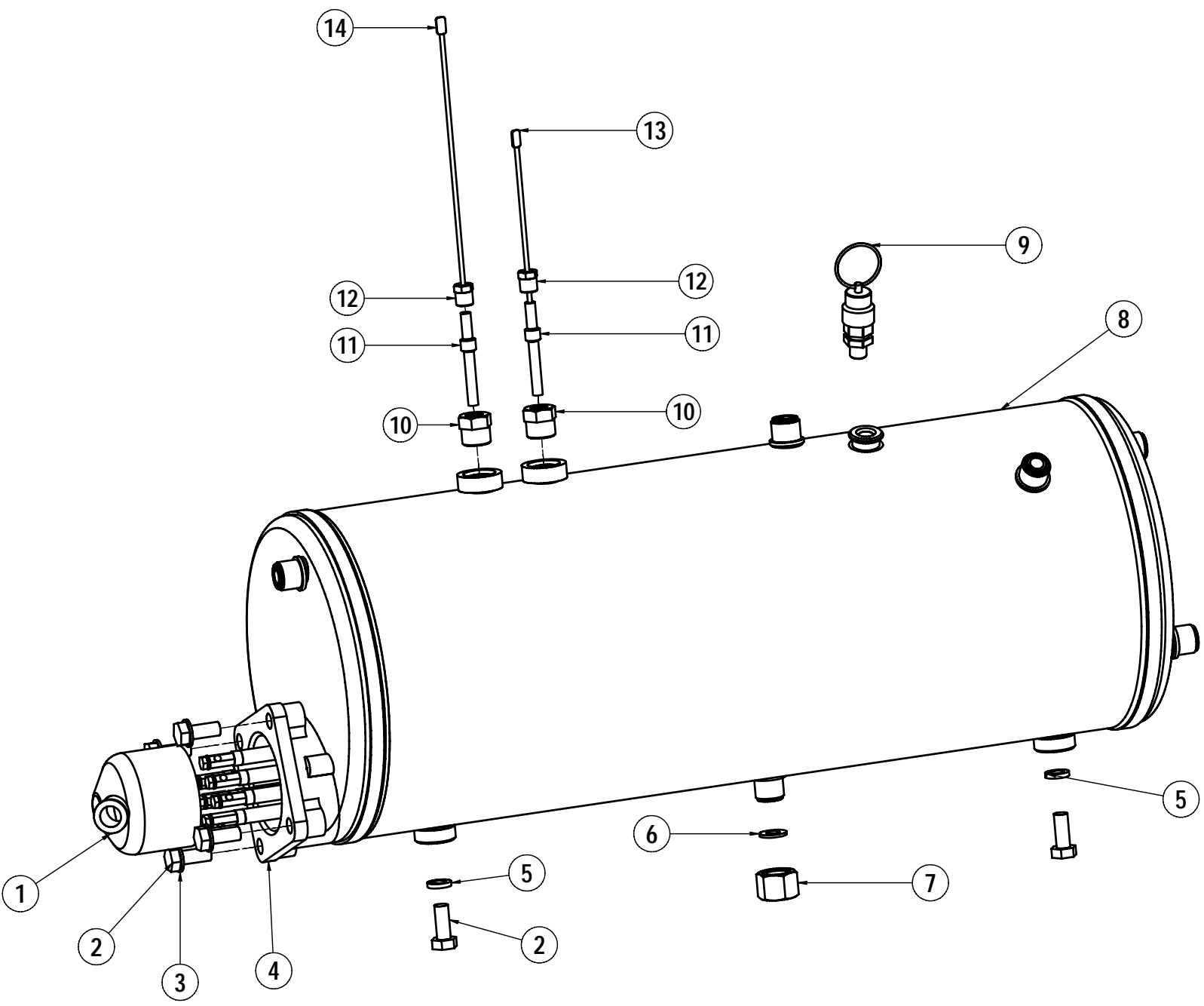
Pour les machines NSF: prière de se reporter à la première page de la section pour les références spécifiques  
 For NSF machines: please refer to the first page of this chapter for specific references

05/2011

CHAUDIERE VAPEUR  
STEAM BOILER



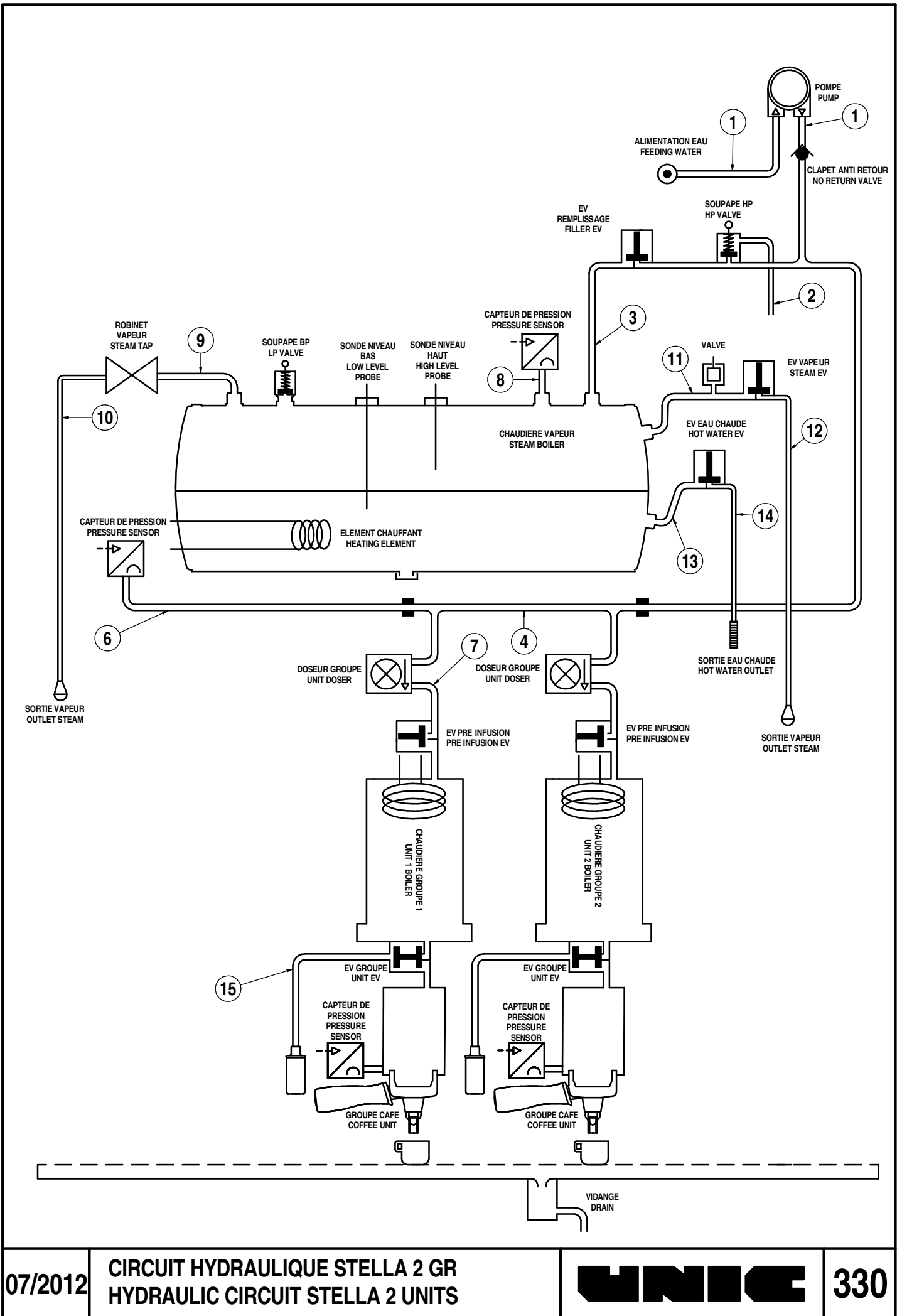
320

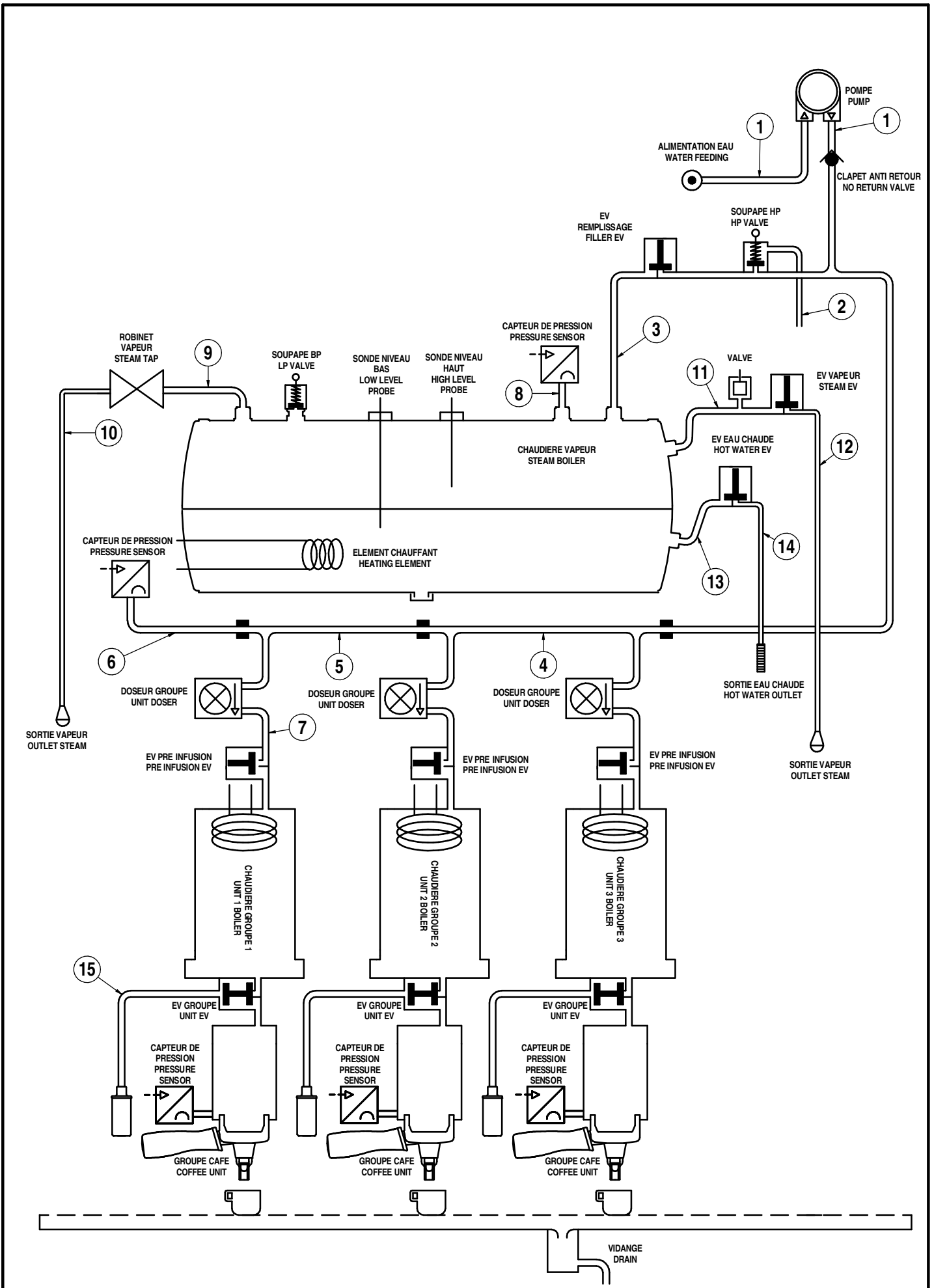


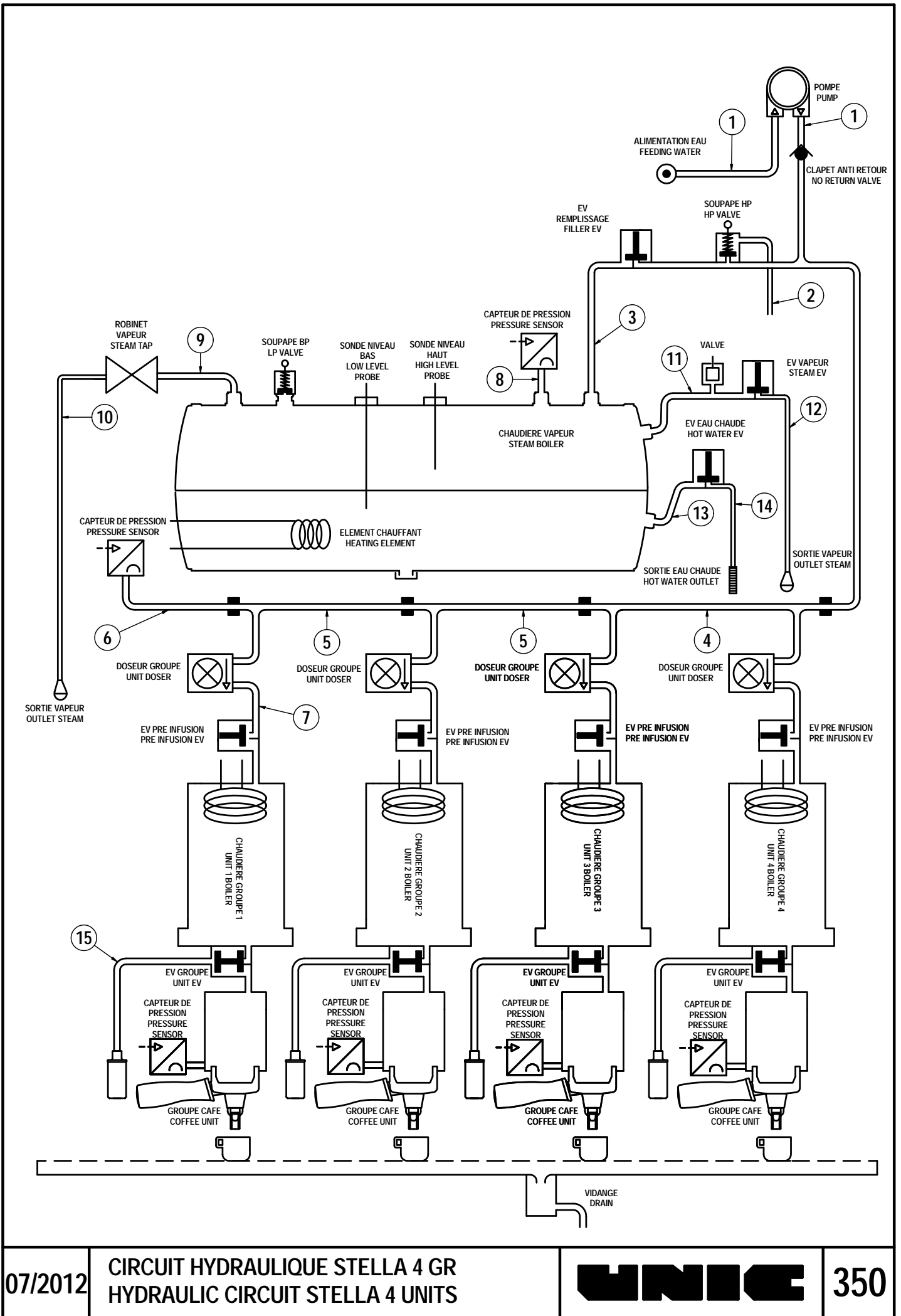
**PLANCHE/PLATE : 330/340/350**

<b>REP</b>	<b>REF</b>	<b>DESIGNATION</b>	<b>DESIGNATION</b>
1	ID-75	TUBE FLEXIBLE COUDE ARME INOX	FLEXIBLE PIPE
2	NZ6015	TUBE EVACUATION SOUPAPE HP	HP VALVE DRAIN TUBE
	NZ6016	TUBE EVACUATION SOUPAPE HP (V+)	HP VALVE DRAIN TUBE (V+)
3	NZ6011	TUBE REMPLISSAGE CHAUDIERE	BOILER FEEDING PIPE
4	NZ6008	RAMPE DOSEUR ET ENTREE EAU	WATER FEEDING & DOSER PIPE
5	NZ6007	RAMPE DOSEUR EAU	WATER DOSER PIPE
6	NZ6012	TUBE CAPTEUR RESEAU	NETWORK SENSOR PIPE
7	NZ6006	TUBE ALIMENTATION GROUPE	UNIT FEEDING PIPE
	NZ6018	TUBE ALIM. GROUPE PRE INFUSION	PRE BREWING UNIT FEEDING PIPE
8	NZ6013	TUBE CAPTEUR VAPEUR	STEAM SENSOR PIPE
9	NZ6010	TUBE ROBINET VAPEUR	STEAM TAP PIPE
10	25902	SORTIE VAPEUR STELLA INOX	STELLA S.STEEL STEAM OUTLET
	25903	SORTIE VAPEUR STELLA V+ INOX	STELLA V+ S.STEEL STEAM OUTLET
11	NZ6004	TUBE EV VAPEUR	STEAM EV PIPE
12	25902	SORTIE VAPEUR STELLA INOX	STELLA S.STEEL STEAM OUTLET
	25903	SORTIE VAPEUR STELLA V+ INOX	STELLA V+ S.STEEL STEAM OUTLET
	NZ1020	SORTIE STEAMAIR STELLA	STELLA STEAMAIR OUTLET
	NZ1021	SORTIE STEAMAIR STELLA V+	STELLA V+ STEAMAIR OUTLET
13	NZ6005	TUBE EV EAU CHAUDE	HOT WATER EV PIPE
14	DV1024	SORTIE EAU CHAUDE REGLABLE	ADJUSTABLE HOT WATER OUTLET
15	NZ6000	TUBE DECOMPRESSION	DECOMPRESSION PIPE
	NZ6001	TUBE DECOMPRESSION V+	DECOMPRESSION V+ PIPE

Pour les machines NSF: prière de se reporter à la première page de la section pour les références spécifiques  
 For NSF machines: please refer to the first page of this chapter for specific references





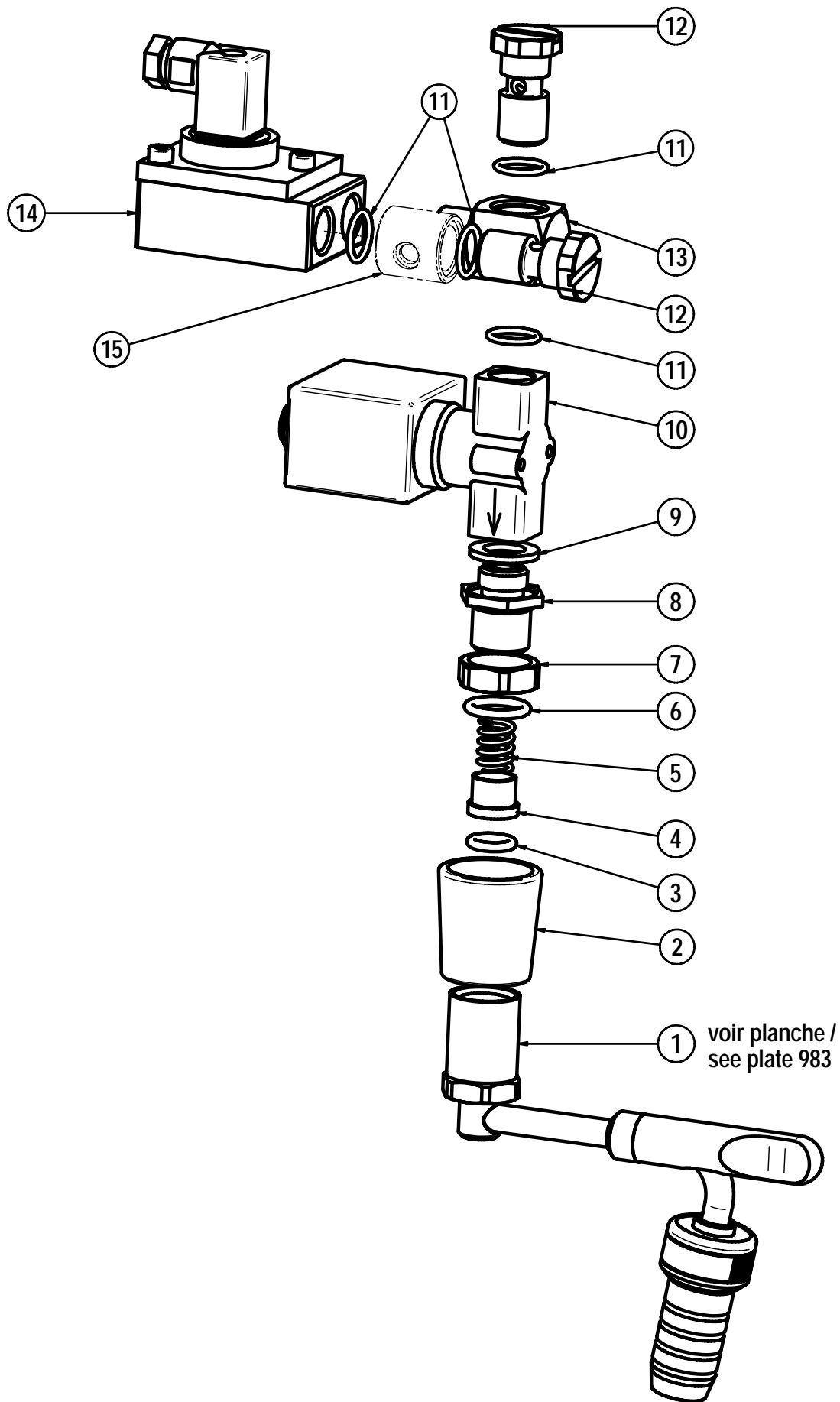




**PLANCHE/PLATE : 400**

<b>REP</b>	<b>REF</b>	<b>DESIGNATION</b>	<b>DESIGNATION</b>
1	DV1024	SORTIE EAU CHAUDE REGLABLE	ADJUSTABLE HOT WATER OUTLET
2	25915	CACHE SORTIE EAU VAPEUR	COVER OUTLET STEAM WATER
3	PH-78	JOINT TORIQUE 2,62X9,13 EPDM	O RING - 9,13 X 2,62
4	RR-67	EMBOUT LAITON	BRASS END
5	PA-43	RESSORT F15/10 L14,5 D10,5 P3	SPRING
6	PH-54	JOINT TORIQUE 2,62X13,95 EPDM	O RING - 13.95 x 2.62
7	DV-170	ECROU CHROME	NUT 3/8
8	DV-171	RACCORD 3/8-1/4	FITTING 3/8
9	28352	JOINT PLAT 20X12X2 EPDM 70SH	GASKET 20X12X2
10	CN-245R	ELECTROVANNE 2V 24V	ELECTROVALVE 2W 24V
11	PA-96	JOINT TORIQUE 1,78X12,42 EPDM	GASKET 1.78 X 12.42
12	23760	AXE BANJO 1/4	BANJO SCREW 1/4
13	23761	CORPS DE BANJO 1/4	BANJO BODY 1/4
14	DO-71	DOSEUR D'EAU COMPLET D=2,5	WHOLE WATER DOS. DEVICE D:2,5
15	NZ6005	TUBE EV EAU CHAUDE	HOT WATER EV PIPE

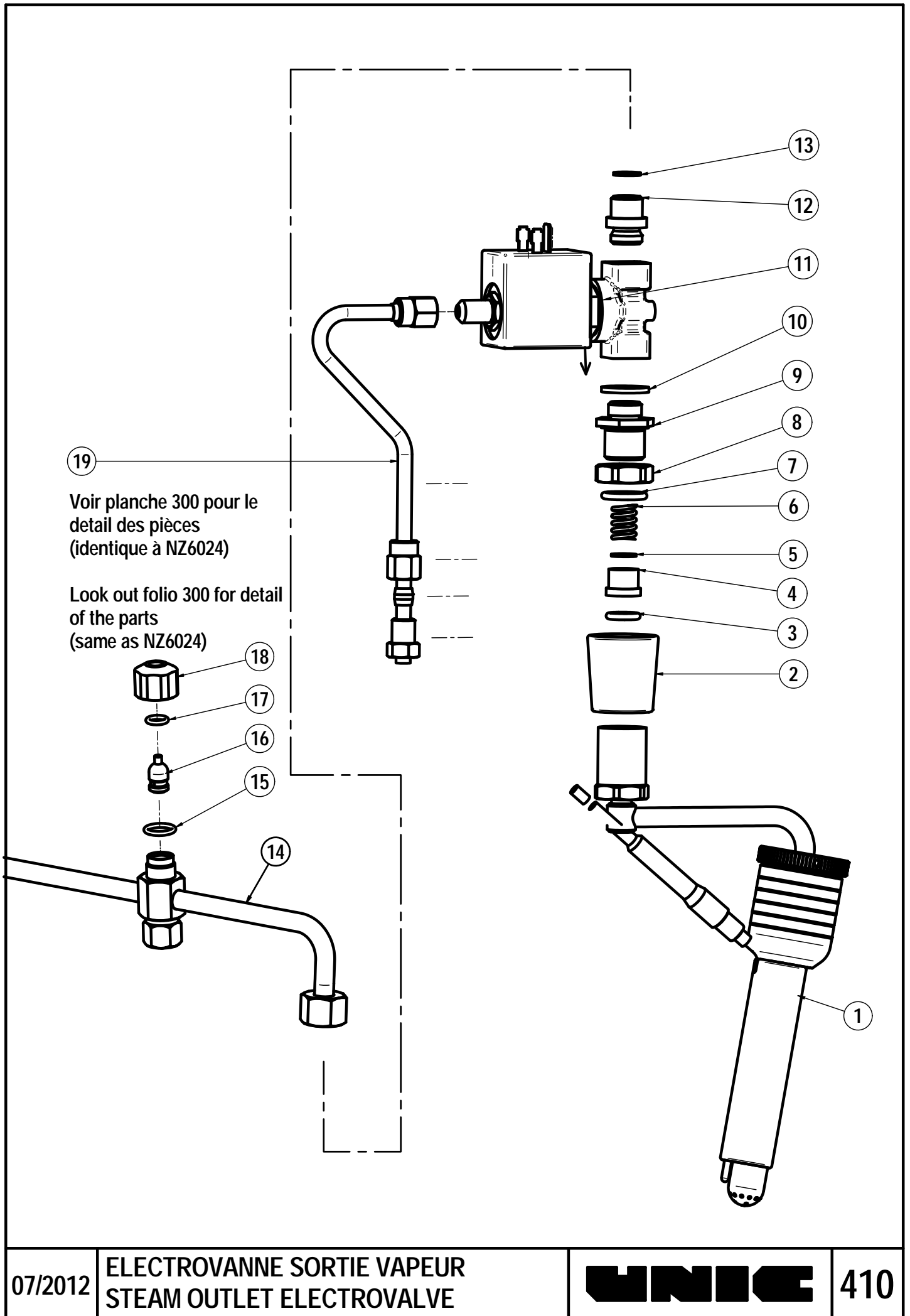
Pour les machines NSF: prière de se reporter à la première page de la section pour les références spécifiques  
 For NSF machines: please refer to the first page of this chapter for specific references



**PLANCHE/PLATE : 410**

REP	REF	DESIGNATION	DESIGNATION
1	NZ1020	SORTIE STEAMAIR STELLA	STELLA STEAMAIR OUTLET
	NZ1021	SORTIE STEAMAIR STELLA V+	STELLA V+ STEAMAIR OUTLET
2	25915	CACHE SORTIE EAU VAPEUR	COVER OUTLET STEAM WATER
3	PH-78	JOINT TORIQUE 2,62X9,13 EPDM	O RING - 9,13 X 2,62
4	RR-67	EMBOUT LAITON	BRASS END
5	AG-14	JOINT CUIVRE M12	COPPER GASKET
6	PA-43	RESSORT F15/10 L14,5 D10,5 P3	SPRING
7	PH-54	JOINT TORIQUE 2,62X13,95 EPDM	O RING - 13.95 x 2.62
8	DV-170	ECROU CHROME	NUT 3/8
9	DV-171	RACCORD 3/8-1/4	FITTING 3/8
10	28352	JOINT PLAT 20X12X2 EPDM 70SH	GASKET 20X12X2
11	35040	ELECTROVANNE 3V 24V	ELECTROVALVE 3W 24V
12	20952	RACCORD 1/4 MALE	FITTING 1/4 M
13	CN-618	JOINT CUIVRE 1/4	GASKET - 1/4
14	NZ6004	TUBE EV VAPEUR	STEAM EV PIPE
15	CN2850	JOINT TORIQUE 1.78X10.82 EPDM	O RING - 1.78 X 10.82 EPDM
16	27225	TIGE VALVE SPHERIQUE	SPHERICAL ROD
17	CN-198	JOINT TORIQUE 1,78X6,07 FKM	GASKET - 6.07 x 1.78
18	27226	ECROU VALVE DE PURGE	VACCUM VALVE NUT
19	NZ6021	TUBE RILSAN SOUPLE EV3 V STELLA	FLEXIBLE DRAIN TUBE EV 3W STELLA
	NZ6022	TUBE RILSAN SOUPLE EV3 V STELLA V+	FLEXIBLE DRAIN TUBE EV 3W STELLA V+

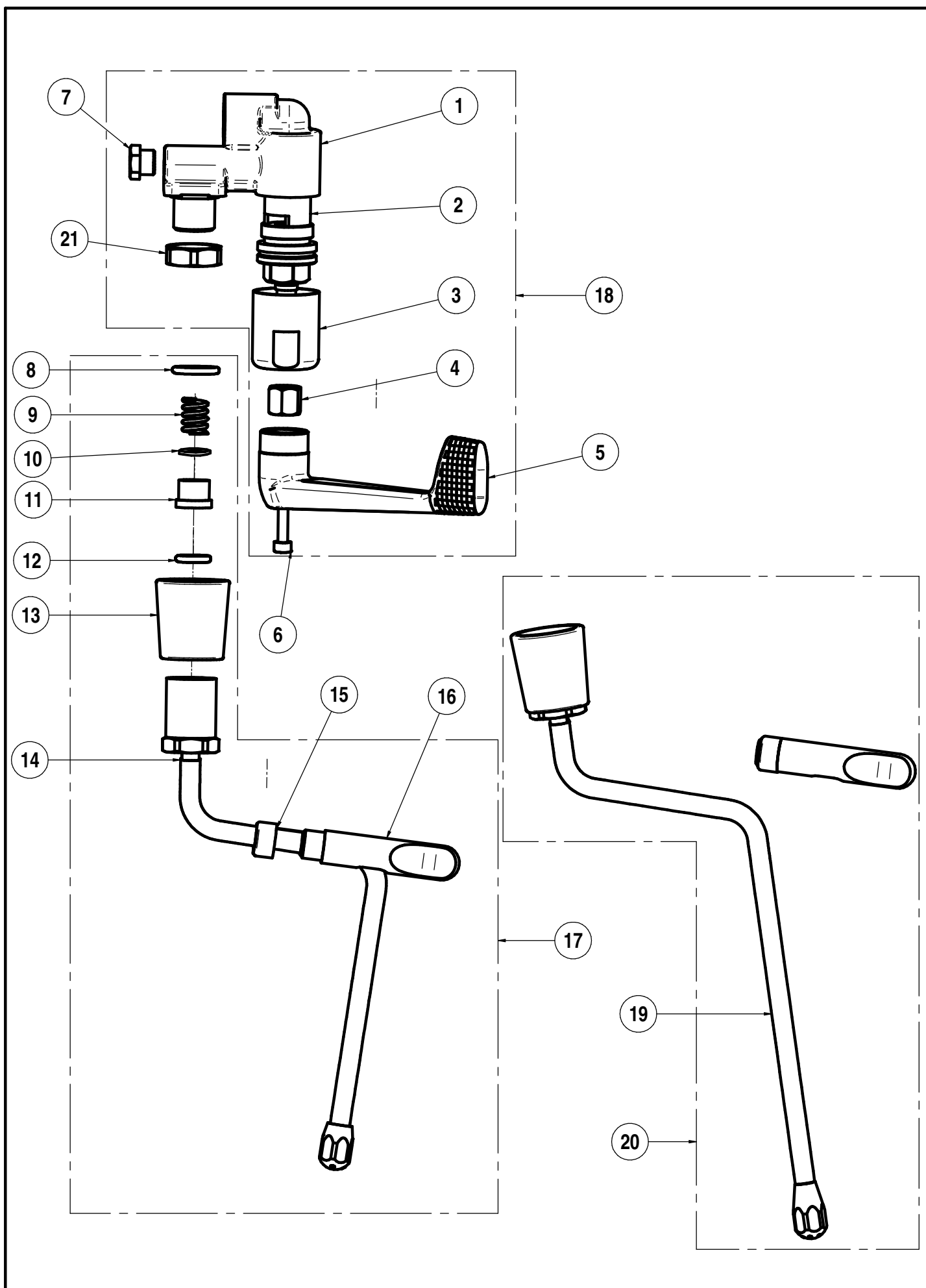
Pour les machines NSF: prière de se reporter à la première page de la section pour les références spécifiques  
 For NSF machines: please refer to the first page of this chapter for specific references



**PLANCHE/PLATE : 420**

REP	REF	DESIGNATION	DESIGNATION
1	NZ4004	ROBINET VAPEUR	STEAM TAP
2	25925	CARTOUCHE CERAMIQUE	CERAMIC CARTRIDGE
3	NZ4013	PALIER ROBINET VAPEUR	STEAM TAP COVER
4	NZ4014	INSERT POIGNEE ROBINET	STEAM HANDLE INSERT
5	NZ7003	POIGNEE VAPEUR	STEAM HANDLE
6	PE-59	VIS TCHC M4x10 INOX	SCREW 4 X 10
7	21100	BOUCHON 1/8	PLUG 1/8
8	PH-54	JOINT TORIQUE 2,62X13,95 EPDM	O RING - 13.95 x 2.62
9	PA-43	RESSORT F15/10 L14,5 D10,5 P3	SPRING
10	AG-14	JOINT CUIVRE M12	COPPER GASKET
11	RR-67	EMBOUT LAITON	BRASS END
12	PH-78	JOINT TORIQUE 2,62X9,13 EPDM	O RING - 9,13 X 2,62
13	25915	CACHE SORTIE EAU VAPEUR	COVER OUTLET STEAM WATER
14	25902	SORTIE VAPEUR STELLA INOX	STELLA S.STEEL STEAM OUTLET
15	25911	BAGUE POUR POIGNEE EAU ET VAPEUR	WATER AND STEAM HANDLE COLLAR
16	25910	POIGNEE SORTIE EAU CHAUDE ET VAPEUR	HOT WATER AND STEAM OUTLET HANDLE
17	NZ1015	KIT SORTIE VAPEUR STELLA	STELLA STEAM OUTLET KIT
18	NZ1014	ROBINET VAPEUR COMPLET	STEAM TAP KIT
19	25903	SORTIE VAPEUR STELLA V+ INOX	STELLA V+ S.STEEL STEAM OUTLET
20	NZ1016	KIT SORTIE VAPEUR STELLA V+	STELLA V+ STEAM OUTLET KIT
21	DV-170	ECROU SORTIE VAPEUR	OUTLET STEAM NUT

Pour les machines NSF: prière de se reporter à la première page de la section pour les références spécifiques  
 For NSF machines: please refer to the first page of this chapter for specific references

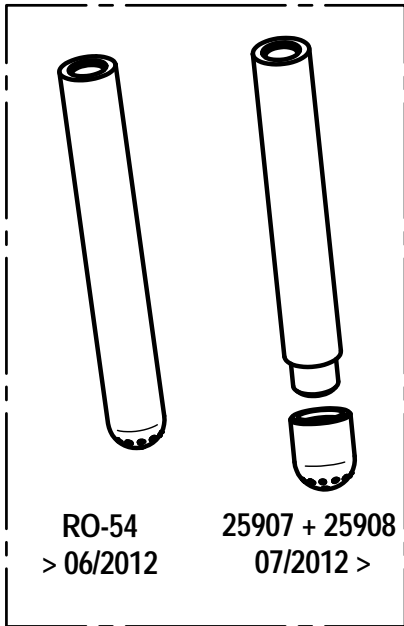
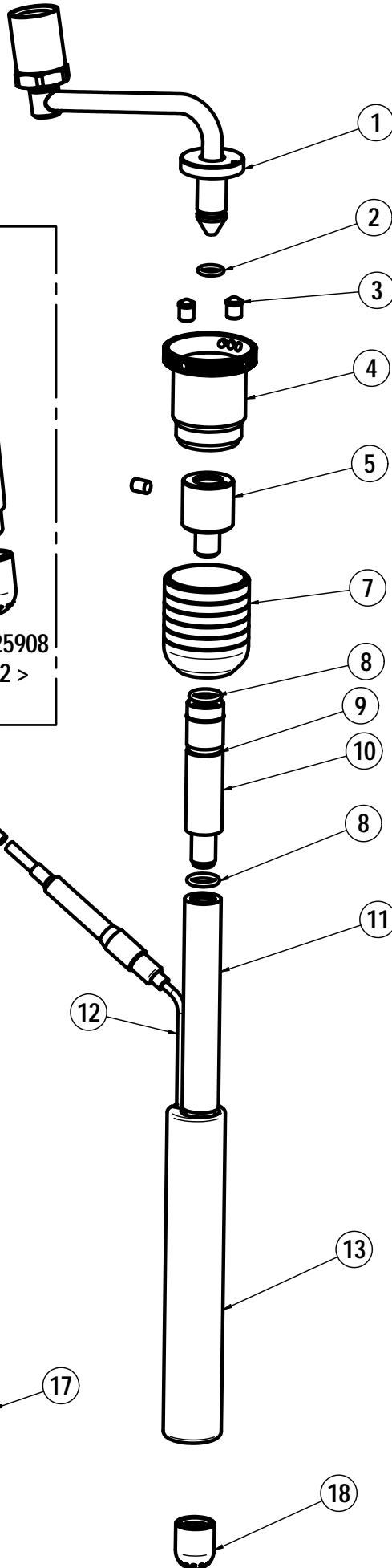


**PLANCHE/PLATE : 430**

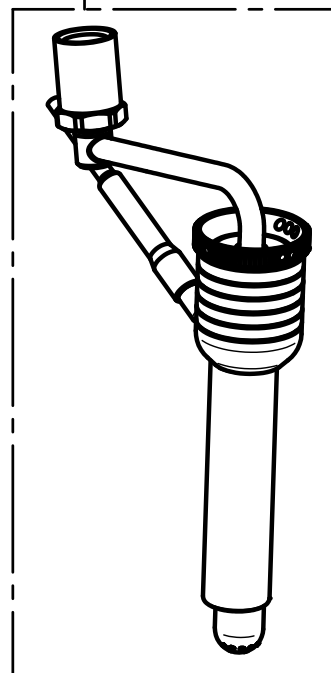
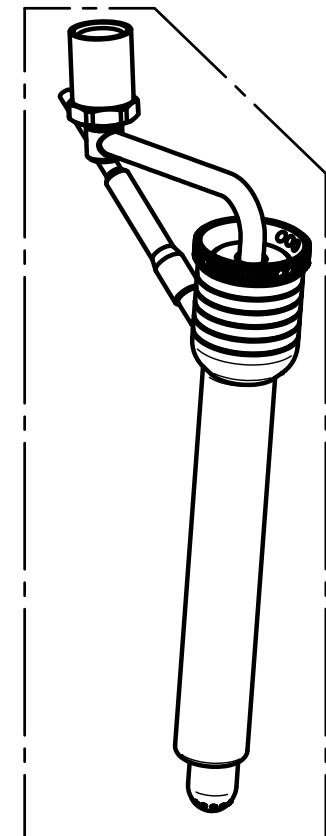
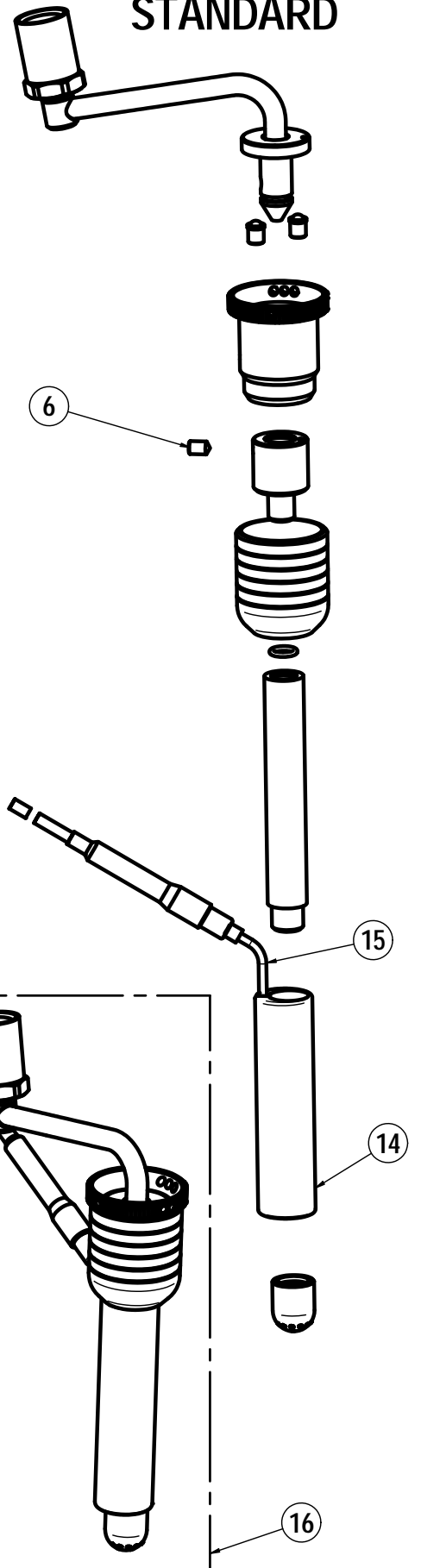
<b>REP</b>	<b>REF</b>	<b>DESIGNATION</b>	<b>DESIGNATION</b>
1	RO-59A	TUBE SORTIE CAPPUCCINO	CAPPUCCINO OUTLET PIPE
2	CN-436	JOINT TORIQUE 1,78X8,73 EPDM	GASKET 8,73 X 1,78
3	RO-58	POUSSOIR A BILLE	THRUST BALL BEARING
4	RO-55	BARILLET	BARREL
5	RO-57	MELANGEUR	MIXER
6	PC-38	VIS STHC M5X8 BOUT POINTU	POINT END SCREW
7	RO-68	CACHE BARILLET	BARREL COVER
8	28104	JOINT TORIQUE 2X9,5 FKM 80SH	GASKET 2X9,5
9	PH-78	JOINT TORIQUE 2,62X9,13 EPDM	O RING - 9,13 X 2,62
10	25904	RALLONGE SORTIE CAPPUCCINO	CAPPUCCINO OUTLET EXTENSION
11	25907	TUBE PTFE STEAMAIR	PTFE STEAMAIR PIPE
12	NZ8015	SONDE VAPEUR THERMOSTATEE V+	V+ THERMOSTATED STEAM PROBE
13	25906	SUPPORT DE SONDE TANGO	TANGO PROBE SUPPORT
14	25905	SUPPORT DE SONDE	PROBE SUPPORT
15	NZ8001	SONDE VAPEUR THERMOSTATEE	THERMOSTATED STEAM PROBE
16	NZ1020	SORTIE STEAMAIR STELLA	STELLA STEAMAIR OUTLET
17	NZ1021	SORTIE STEAMAIR STELLA V+	STELLA V+ STEAMAIR OUTLET
18	25908	EMBOUT PTFE 17 TROUS	17 HOLES END PIPE

Pour les machines NSF: prière de se reporter à la première page de la section pour les références spécifiques  
 For NSF machines: please refer to the first page of this chapter for specific references

V+



STANDARD

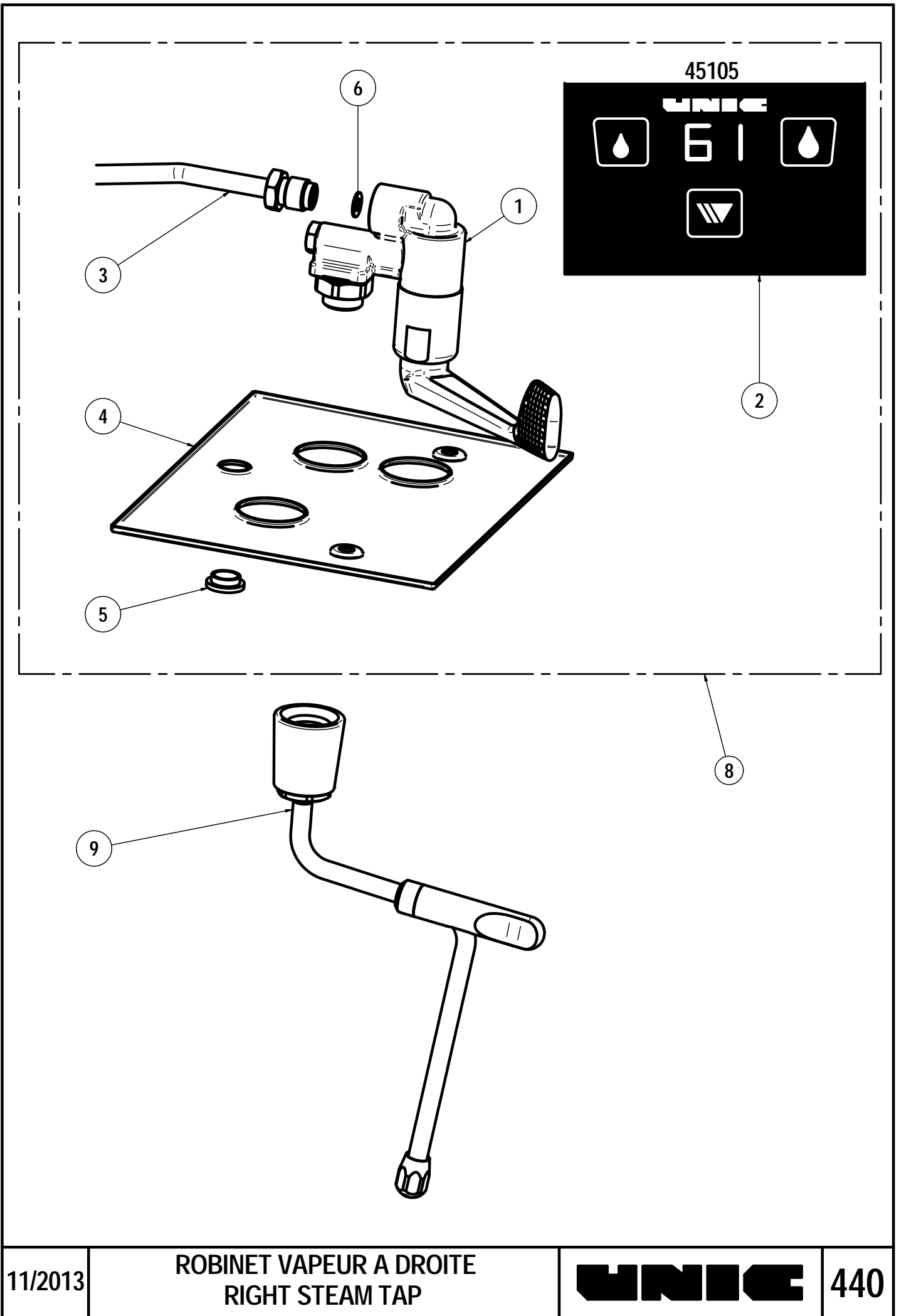




**PLANCHE/PLATE : 440**

<b>REP</b>	<b>REF</b>	<b>DESIGNATION</b>	<b>DESIGNATION</b>
1	NZ1014	ROBINET VAPEUR COMPLET	STEAM TAP KIT
2	45105	BOITIER EAU CHAUDE (BST)	HOT WATER ELECTRONIC BOX (BST)
3	NZ6020	TUBE ROBINET VAPEUR DROIT	RIGHT STEAM TAP PIPE
4	NZ7007R	CACHE ELECTROVANNE VERSION ROBINET	ELECTROVALVE COVER TAP VERSION
5	ED-118	BOUCHON PLASTIQUE	CAP
6	AG-14	JOINT CUIVRE M12	COPPER GASKET
7	CH-16	JOINT CUIVRE RECUIT 3/8	WASHER - COPPER - 3/8
8	NZ1017	KIT ROBINET VAPEUR A DROITE	RIGHT STEAM TAP KIT
9	NZ1015	KIT SORTIE VAPEUR STELLA	STELLA STEAM OUTLET KIT
	NZ1016	KIT SORTIE VAPEUR STELLA V+	STELLA V+ STEAM OUTLET KIT

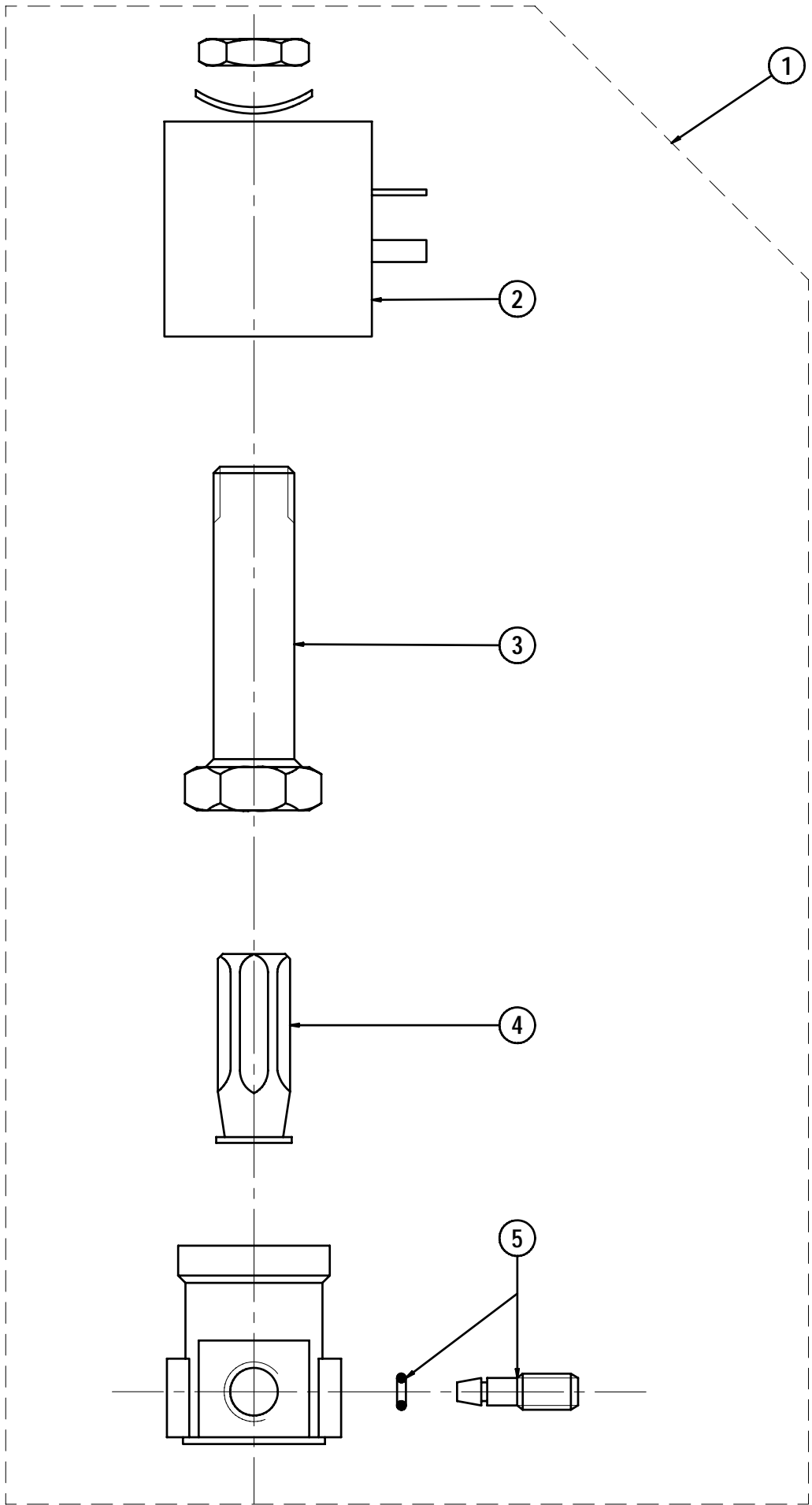
Pour les machines NSF: prière de se reporter à la première page de la section pour les références spécifiques  
For NSF machines: please refer to the first page of this chapter for specific references



**PLANCHE/PLATE : 450**

<b>REP</b>	<b>REF</b>	<b>DESIGNATION</b>	<b>DESIGNATION</b>
1	CN-245R	ELECTROVANNE 2V 24V	ELECTROVALVE 2W 24V
	CN-631R	ELECTROVANNE 2V REG 24V50-60HZ	ELECTROVALVE 2W ADJ. 24V50-60HZ
	35532	ELECTROVANNE 2V 24V N.O Ø2	ELECTROVALVE 2W 24V OPEN
2	35012	BOBINE 24V	SOLENOID COIL 24V
3	35521	CORPS DEPHASEUR EV 2V REGLABLE	BODY PHASE SHIFTER 2W ADJUSTABLE
	35525	CORPS DEPHASEUR EV 2V	BODY PHASE SHIFTER 2W
	35531	CORPS DEPHASEUR EV 2V N.O	BODY PHASE SHIFTER 2W N.O
4	35520	CLAPET ELECTROVANNE 2V REGLABLE	ELECTROVALVE PISTON 2W ADJUSTABLE
	35524	CLAPET ELECTROVANNE 2V	ELECTROVALVE PISTON 2W
	35534	CLAPET ELECTROVANNE 2V N.O Ø2	ELECTROVALVE PISTON 2W N.O Ø2
5	35522	ENSEMBLE VIS DE REGLAGE	SCREW KIT
6	CN-245W	ELECTROVANNE 2 V. SANS BOBINE	ELECTROVALVE 2W WITHOUT COIL
	CN-631W	ELECTROVANNE 2V REG SANS BOBINE	ELECTROVALVE 2W ADJ WITHOUT COIL
	35535	EV 2V N.O Ø2 SANS BOBINE	EV 2W Ø2 OPEN WITHOUT COIL

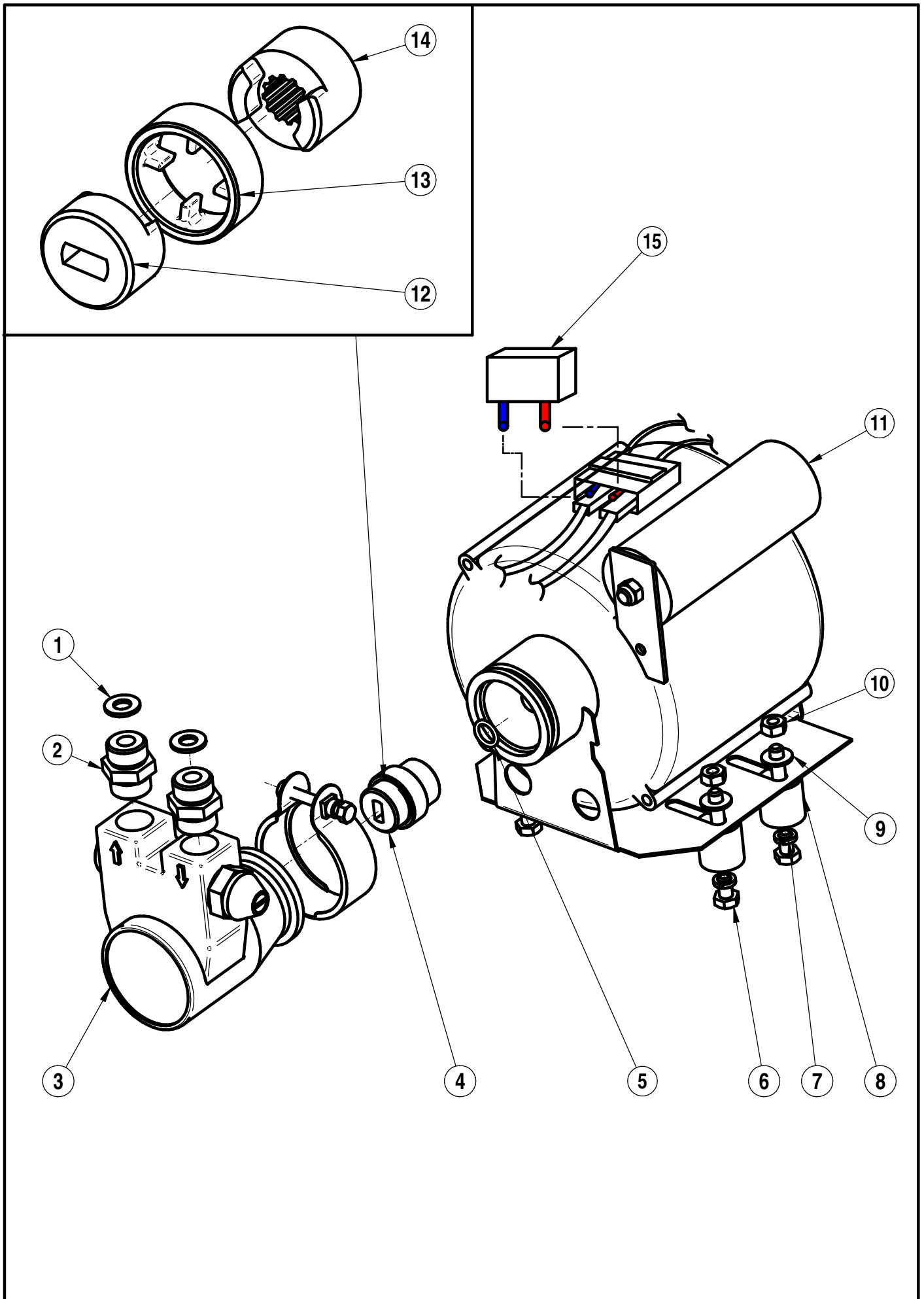
Pour les machines NSF: prière de se reporter à la première page de la section pour les références spécifiques  
 For NSF machines: please refer to the first page of this chapter for specific references



**PLANCHE/PLATE : 600**

<b>REP</b>	<b>REF</b>	<b>DESIGNATION</b>	<b>DESIGNATION</b>
1	CH-16	JOINT CUIVRE RECUIT 3/8	WASHER - COPPER - 3/8
2	CN-347A	RACCORD D'ALIM. 3/8 - 3/8 MM	FITTING - 3/8 X 3/8 -
3	37225	POMPE ROTATIVE 200L/H PROCON	PROCON PUMP 200L/H
4	37216	KIT ACCOUPLEMENT POMPE	COUPLING KIT
5	28104	JOINT TORIQUE 2X9,5 FKM 80SH	GASKET 2X9,5
6	C-3	VIS TH M6 x 10 INOX	SCREW M6 X 10
7	51655	RONDELLE GROWER DE 6	WASHER 6
8	DO-19	PLOT APB 20-20	SILENTBLOC
9	PH 32	RONDELLE PLATE 6,25 X 14 X 1,2	WASHER
10	AE-13	ECROU ACIER ZINGUE Hu 6-100	NUT M6
11		MOTEUR POMPE	PUMP MOTOR
A	PI-52	MOTEUR CANNELE 220V50HZ	MOTOR 220V 50HZ
B	PI-52A	MOTEUR CANNELE 220V60HZ	MOTOR 220V 60HZ
12	37215	JOINT D'ACCOUPLEMENT	SLEEVE COUPLING
13	37211	AMORTISSEUR ACCOUPLEMENT	RUBBER COUPLING
14	37210	JOINT D'ACCOUPLEMENT	SLEEVE COUPLING
15	44710	FILTRE RC	RC FILTER

Pour les machines NSF: prière de se reporter à la première page de la section pour les références spécifiques  
 For NSF machines: please refer to the first page of this chapter for specific references



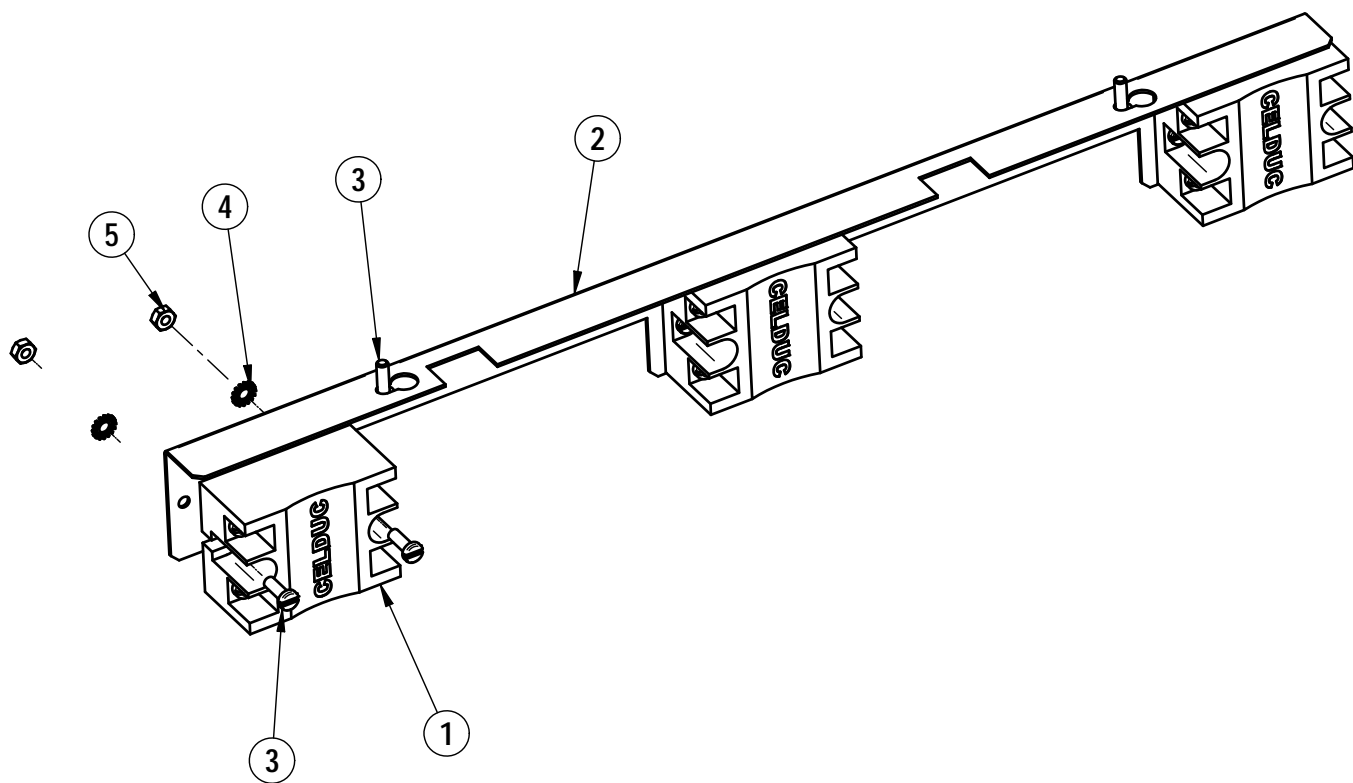
07/12

MOTEUR POMPE  
PUMP MOTOR

**UNIC 600**

**PLANCHE/PLATE : 650**

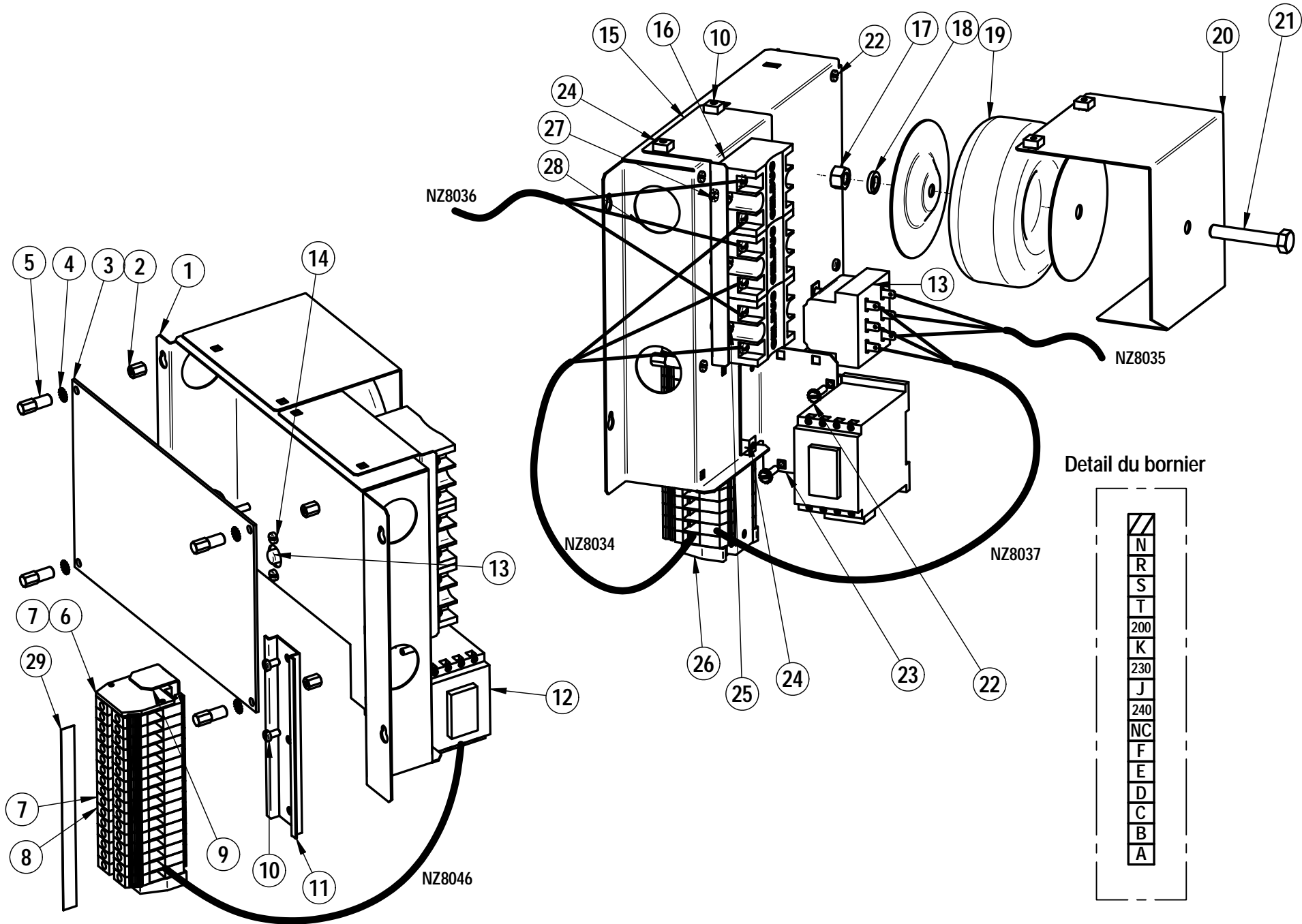
<b>REP</b>	<b>REF</b>	<b>DESIGNATION</b>	<b>DESIGNATION</b>
1	44410	RELAIS STATIQUE 25A	STATIC RELAY 25A
2	NZ2002	SUPPORT RELAIS STATIQUES 2GR	2 UNITS SOLID STATE RELAY HOLDER
	NZ2003	SUPPORT RELAIS STATIQUES 3GR	3 UNITS SOLID STATE RELAY HOLDER
	NZ2004	SUPPORT RELAIS STATIQUES 4GR	4 UNITS SOLID STATE RELAY HOLDER
3	DO-195	VIS ACIER INOX TC 4 X 12	SCREW M4 X 12
4	CN-343	RONDELLE EVENTAIL 4	WASHER 4
5	PG-14	ECROU M4	NUT M4



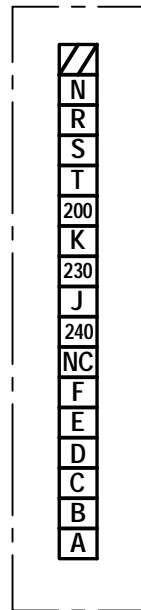


**PLANCHE/PLATE : 700**

REP	REF	DESIGNATION	DESIGNATION
1	NZ2010	COFFRET ELECTRIQUE	ELECTRICAL BOX
2	CN-651	ENTRETOISE COURTE DU C.I.	SHORT SPACER FRAME
3	45360	CARTE CPU	CPU BOARD
4	CN-343	RONDELLE EVENTAIL 4	WASHER 4
5	51053	ECROU LONG M4	LONG NUT M4
6	41422	FLASQUE D'EXTREMITE	FLANGE TERMINAL BOARD
7	AE-51	BORNIER GM BLEU	TERMINAL BOARD BLUE
8	AE-50	BORNIER GM GRIS	TERMINAL BOARD GREY
9	NZ2011	EQUERRE ARRET BORNIER	BRACKET STOP
10	V-17	VIS INOX TC 4 x 8	SCREW M4 X 8
11	FR2013	RAIL	RAIL
12	43800	CONTACTEUR TETRA. 220V 25A 50HZ	CONTACTOR 220V 25A 50Hz
13	34202	THERMOSTAT SECURITE 160C TRI UL	THERMOSTAT 160C UL
14	CN-325	VIS INOX TC 4 x 6	SCREW M4 X 6
15	NZ2005	SUPPORT RELAIS	RELAY SUPPORT
16	44410	RELAIS STATIQUE 25A	STATIC RELAY 25A
17	PE-12	ECROU M8	NUT M8
18	RR-83	RONDELLE GROVER DE 8	WASHER 8
19	44215	TRANSFORMATEUR TOROIDAL 230V	TRANSFORMER 200-230-240V
20	NZ2008	SUPPORT TRANSFORMATEUR	TRANSFORMER SUPPORT
21	S-11	VIS TH M8X50	SCREW HM8X50
22	CN-189	VIS TC M4 X 16 INOX	SCREW M4 X 16
23	NZ2012	EQUERRE SUPPORT CONTACTEUR	BRACKET CONTACTOR
24	CN-661	ECROU RAPID M4 EN CAGE /1_1,6	INSERT NUT M4
25	DO-195	VIS ACIER INOX TC 4 X 12	SCREW M4 X 12
26	41423	BUTEE SANS VIS BORNIER	END TERMINAL BOARD
27	PG-14	ECROU M4	NUT M4
28	42004	PASSE FIL Ø38	GROMMET Ø38
29	46035	ETIQUETTE BORNIER STELLA	TERMINAL BOARD STICKER
	NZ8034	CABLE ALIM RELAIS STATIQUE VAPEUR	STEAM SOLID STATE RELAY SUPPLY CABLE
	NZ8035	CABLE SECURITE RESISTANCE VAPEUR	STEAM HEATING ELEMENT SAFETY
	NZ8036	CABLE RELAIS STATIQUE RESISTANCE	HEATING ELEMENT SOLID STATE RELAY
	NZ8037	CABLE RETOUR SECURITE VAPEUR	STEAM SAFETY FEEDBACK CABLE
	NZ8046	CABLE ALIMENTATION CONTACTEUR	CONTACTOR SUPPLY CABLE



Detail du bornier



**PLANCHE/PLATE : 710**

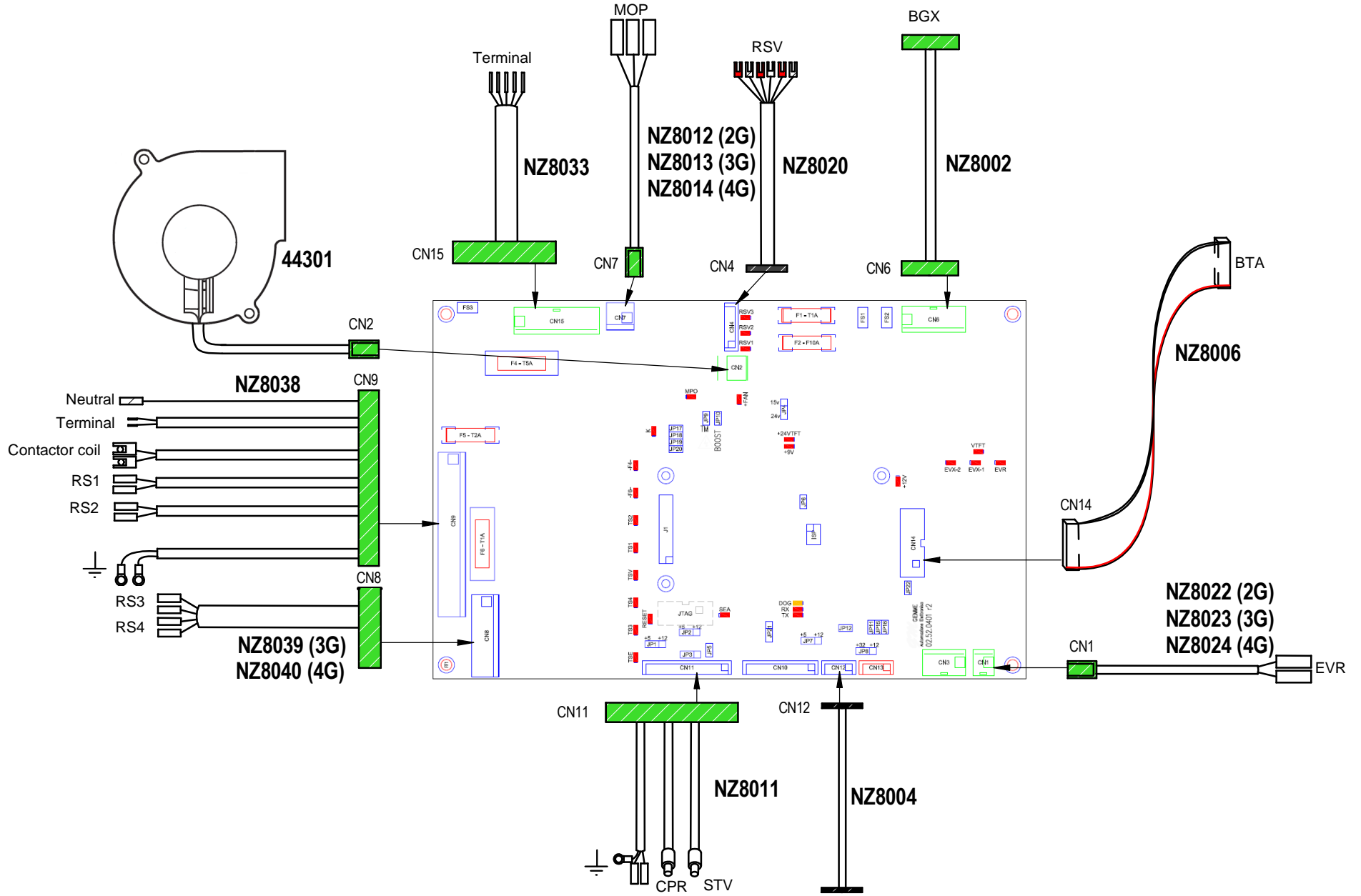
<b>REP</b>	<b>REF</b>	<b>DESIGNATION</b>	<b>DESIGNATION</b>
1	44301	VENTILATEUR HELICOIDAL 24V	HELICAL FAN 24V
2	NZ8002	CABLE ALIMENTATION 24V BGX/BGX	24V SUPPLY BGX/BGX CABLE
3	NZ8004	CABLE LIAISON 485 CPU/BGX	LINK 485 CPU/BGX CABLE
4	NZ8006	CABLE LIAISON CPU/BTA	LINK CPU/BTA CABLE
5	NZ8011	CABLE CAPTEUR CHAUDIERE VAPEUR	STEAM BOILER SENSOR CABLE
6	NZ8012	CABLE COMMANDE POMPE 2GR	2 UNITS PUMP CABLE
	NZ8013	CABLE COMMANDE POMPE 3GR	3 UNITS PUMP CABLE
	NZ8014	CABLE COMMANDE POMPE 4GR	4 UNITS PUMP CABLE
7	NZ8020	CABLE CMD RELAIS STATIQUE VAPEUR	STEAM SOLID STATE RELAY CABLE
	NZ8022	CABLE EV REMPLISSAGE 2GR	2 UNITS EV FEEDING CABLE
	NZ8023	CABLE EV REMPLISSAGE 3GR	3 UNITS EV FEEDING CABLE
	NZ8024	CABLE EV REMPLISSAGE 4GR	4 UNITS EV FEEDING CABLE
8	NZ8033	CABLE FILTRAGE ZENNER	ZENNER FILTERING CABLE
9	NZ8038	CABLE CN9 CPU	CN9 CPU CABLE
10	NZ8039	CABLE CN8 CPU 3GR	3 UNITS CN8 CPU CABLE
	NZ8040	CABLE CN8 CPU 4GR	4 UNITS CN8 CPU CABLE

06/2011

CONNEXIONS CARTE CPU  
CPU BOARD CONNECTION

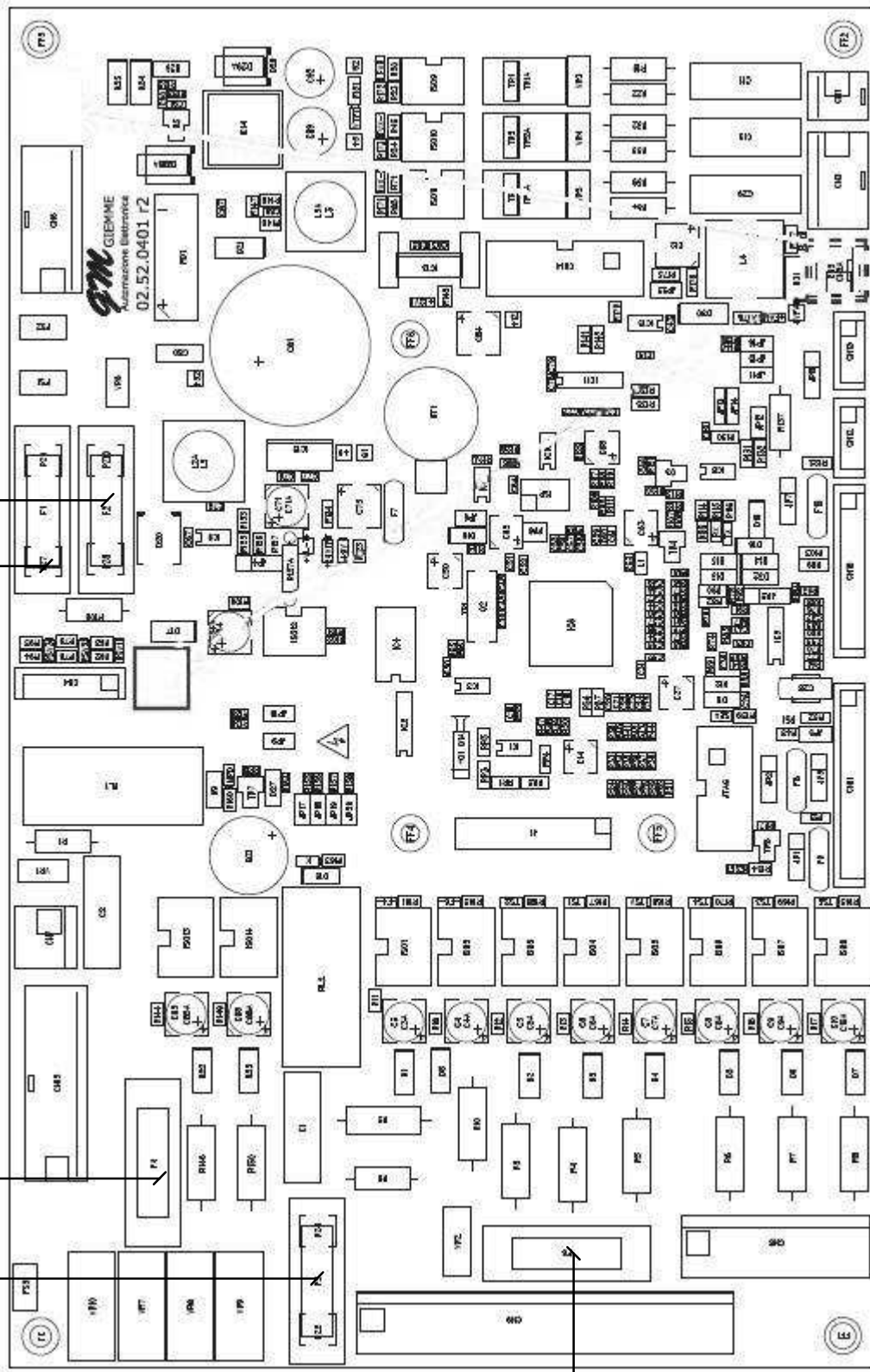
**JNICE**

710



**PLANCHE/PLATE : 720**

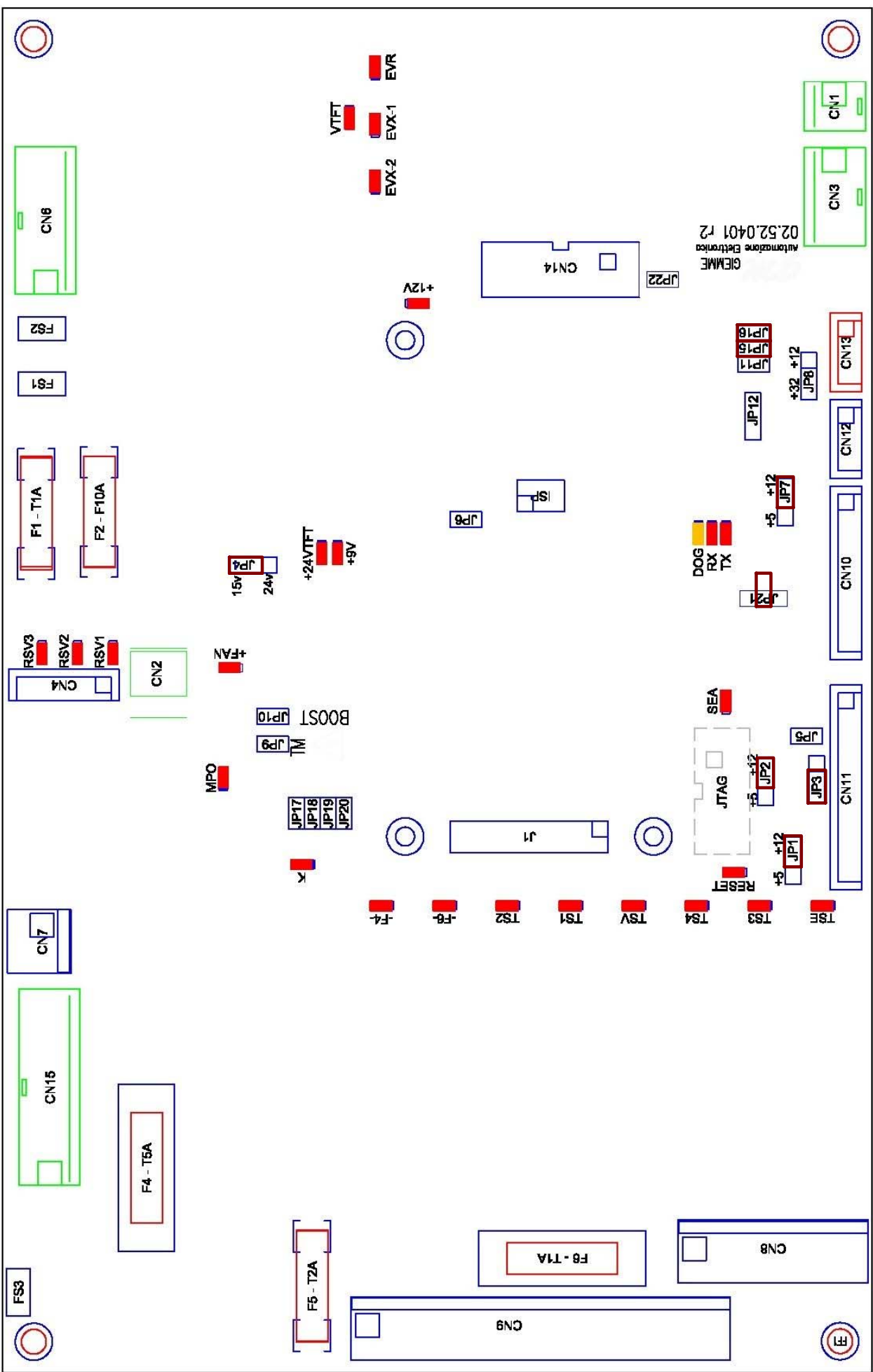
<b>REP</b>	<b>REF</b>	<b>DESIGNATION</b>	<b>DESIGNATION</b>
F1	43113	FUSIBLE 5 X 20 1A RETARDE T	FUSE 1A DELAYED
F2	43114	FUSIBLE 5 X 20 10A RAPIDE	FUSE 10A FAST
F4	43115	FUSIBLE 5 X 20 5A RETARDE T	FUSE 5A DELAYED
F5	43116	FUSIBLE 5 X 20 2A RETARDE T	FUSE 2A DELAYED
F6	43113	FUSIBLE 5 X 20 1A RETARDE T	FUSE 1A DELAYED
	NZ1056	KIT FUSIBLES (1 DE CHAQUE)	FUSE KIT (1 OF EACH)
F1		ALIMENTATION CARTE 24V	24V BOARD SUPPLY
F2		24V BGX	BGX 24V SUPPLY
F4		POMPE 230V	230V PUMP
F5		ENTREE CARTE 230V	230V INPUT BOARD
F6		CONTACTEUR 230V	230V CONTACTOR



F1	FUSIBLE T1AL 250V	43113
F2	FUSIBLE F10AL 250V	43114
F4	FUSIBLE 5TT5A 125V	43115
F5	FUSIBLE T2AL 250V	43116
F6	FUSIBLE T1AL 250V	43113

**PLANCHE/PLATE : 730**

<b>JUMPER</b>	<b>DESIGNATION</b>	<b>DESIGNATION</b>
JP1	Alimentation pressostat CPR +12V/+5V	Pressurestat supply CPR +12V / +5V
JP2	Alimentation pressostat STV +12V/+5V	Pressurestat supply STV +12V / +5V
JP3	Préparation capteur STV NTC/pressostat	Sensor preparation STV NTC / pressurestat
JP4	Alimentation rétroéclairage TFT 24V/15V	Backlight supply TFT 24V / 15V
JP5	N.U.	N.U.
JP6	N.U.	N.U.
JP7	Alimentation capteur humidité CHU +12V/+5V	Humidity sensor supply CHU +12V / +5V
JP8	Alimentation série RS232 CN13 32V/12V	Serial RS232 CN13 32V / 12V supply
JP9	Choix mono/ triphasé (pas avec V10 ou antérieur)	Mono / triphase choose (not with V10 or anterior)
JP10	Activation BOOST (pas avec V10 ou antérieur)	BOOST activation (not with V10 or anterior)
JP11	N.U.	N.U.
JP12	Terminal 485 inséré	Terminal 485 inserted
JP15-JP16	RS485 activé	RS485 activated
JP17	N.U.	N.U.
JP18	N.U.	N.U.
JP19	Insérer à l'allumage RESET DEFAULT	Insert at ignition RESET DEFAULT
JP20	Insérer DEMO MODE	Insert DEMO MODE
<b>LED</b>	<b>DESIGNATION</b>	<b>DESIGNATION</b>
SEA	Pressostat présence H2O	H2O presence Pressurestat
DOG	Compteur volumétrique général	General volumetric meter
K	Contacteur général	General contactor
MPO	Relais moteur pompe	Pump motor relay
F4	Présence fusible F4	Fuse F4 presence
F6	Présence fusible F6	Fuse F6 presence
TSV	Thermostat de sécurité chaudière	Boiler safety thermostat
TSE	Thermostat de sécurité chaudière externe	External boiler safety thermostat
TS1	Thermostat de sécurité groupe 1	Safety thermostat group 1
TS2	Thermostat de sécurité groupe 2	Safety thermostat group 2
TS3	Thermostat de sécurité groupe 3	Safety thermostat group 3
TS4	Thermostat de sécurité groupe 4	Safety thermostat group 4
EVX-2	Electrovanne Aux. 2	Auxiliary 2 electrovalve
EVX-1	Electrovanne Aux. 1	Auxiliary 1 electrovalve
EVR	Electrovanne remplissage chaudière	Boiler filling electrovalve
+9V	Régulateur 9V	9V regulator
+12V	Régulateur 12V	12V regulator
VTFT	Régulateur commutation 5V pour TFT	5V switching regulator for TFT
+24VTFT	Alimentation rétroéclairage écran TFT	TFT backlight supply
RX	Signal réception RS485	Signal reception RS485
TX	Signal transmission RS485	Signal transmission RS485
RSV1	Résistance 1 chaudière	Boiler heating element 1
RSV2	Résistance 2 chaudière	Boiler heating element 2
RSV3	Résistance 3 chaudière	Boiler heating element 3
RESET	ON si carte en fonction	ON when board operating



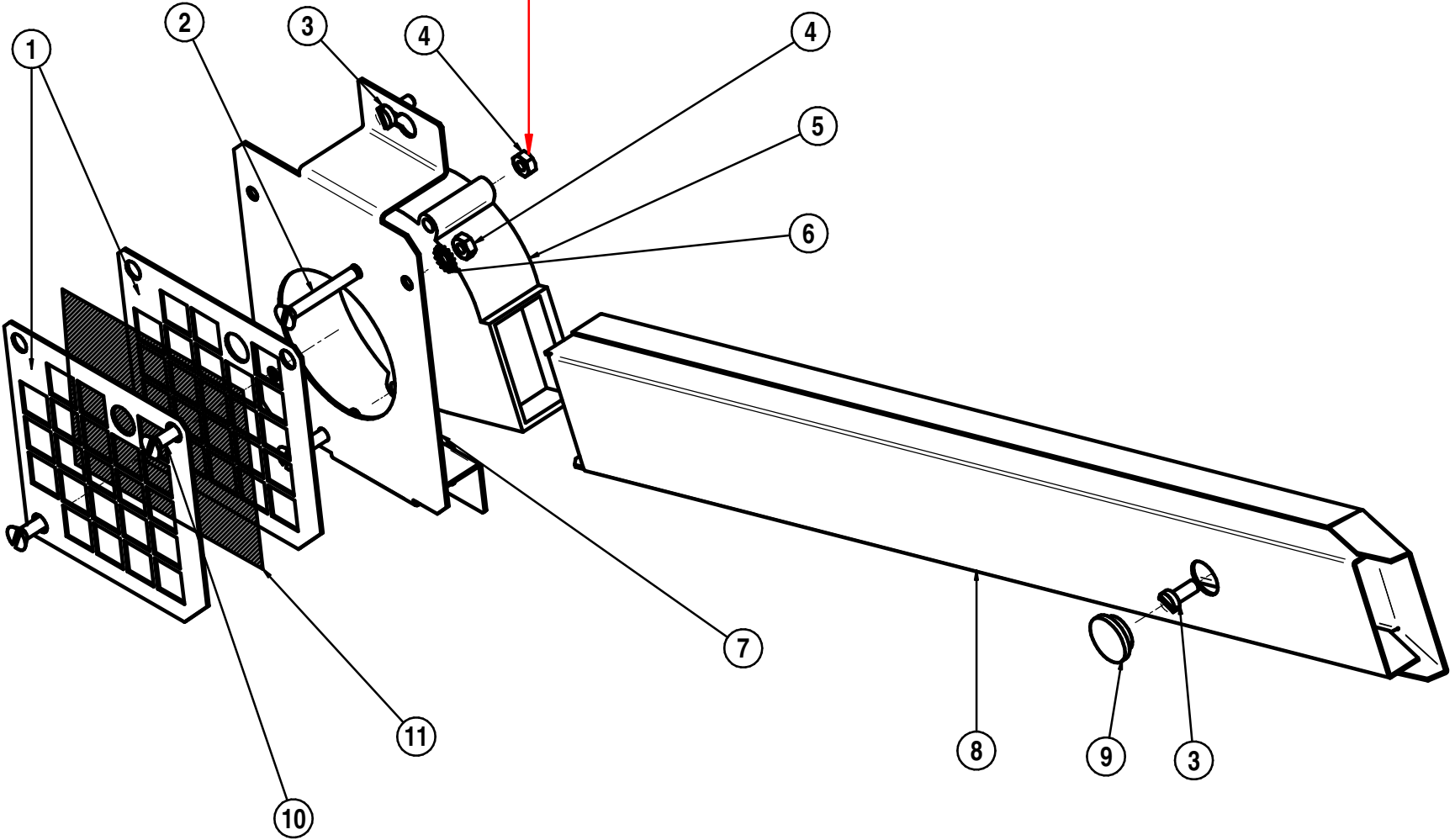
GIEMME  
 Automazione Elettronica  
 02.52.0401 r2



**PLANCHE/PLATE : 740**

<b>REP</b>	<b>REF</b>	<b>DESIGNATION</b>	<b>DESIGNATION</b>
1	44304	GRILLE INOX	INOX GRILL
2	ID-38	VIS INOX TF 4 x 30	SCREW M4 X 30
3	RO-13	VIS INOX TC 4 x 10	SCREW M4 X 10 -
4	PG-14	ECROU M4	NUT M4
5	44301	VENTILATEUR HELICOIDAL 24V	HELICAL FAN 24V
6	CN-343	RONDELLE EVENTAIL 4	WASHER 4
7	NZ2015	SUPPORT VENTILATEUR	FAN SUPPORT
8	NZ2016	GOULOTTE VENTILATEUR	DUCT FAN
9	ED-118	BOUCHON PLASTIQUE	CAP
10	CN-23	VIS INOX TF 4 x 12	SCREW M4X12 CSH
11	44302	ELEMENT FILTRANT + TAMIS	FILTER ELEMENT

loctite 262



07/2012

SYSTEME VENTILATION  
VENTILATION SYSTEM

UNICE

740

**PLANCHE/PLATE : 800**

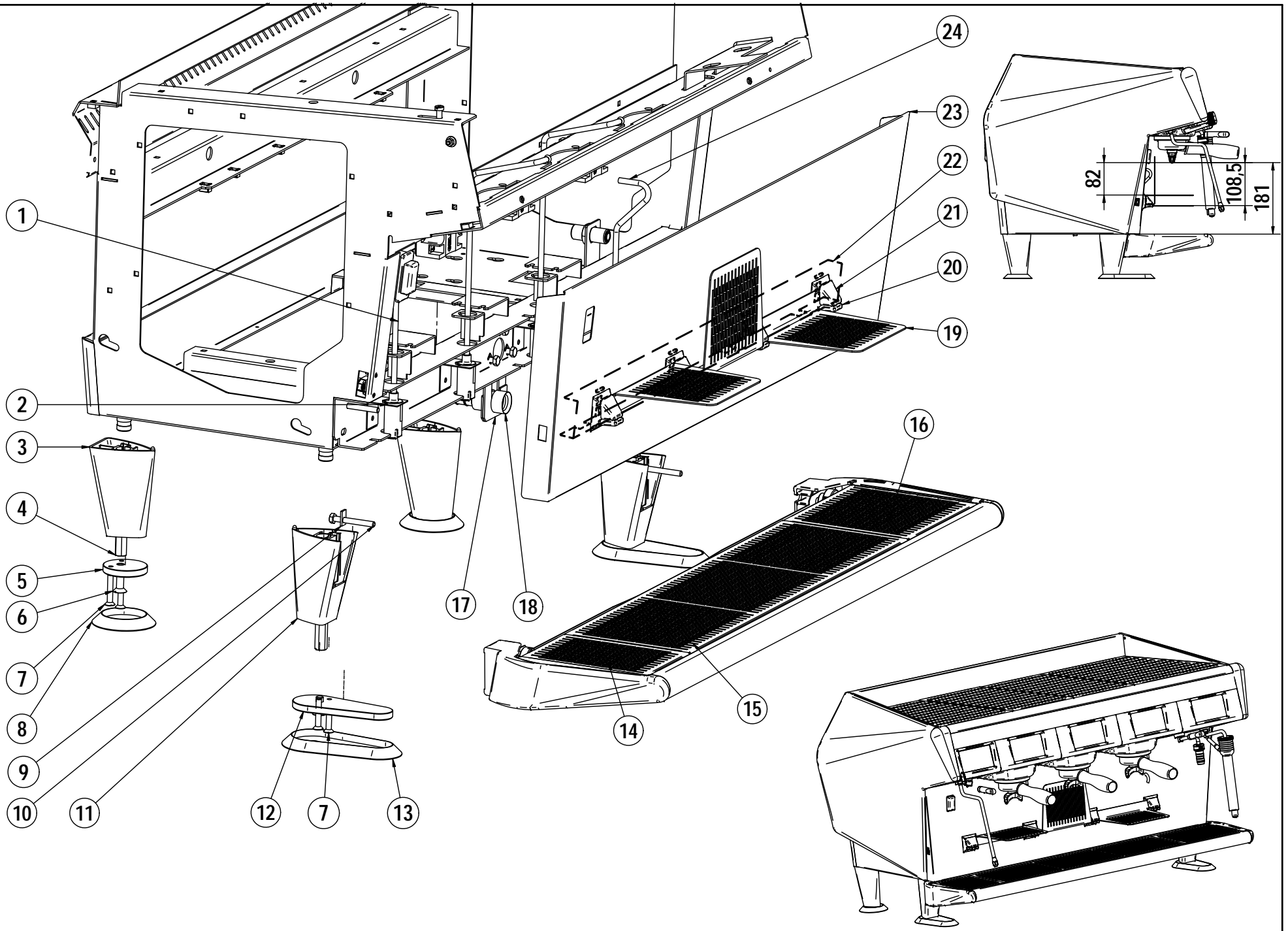
<b>REP</b>	<b>REF</b>	<b>DESIGNATION</b>	<b>DESIGNATION</b>
1	NZ6001	TUBE DECOMPRESSION V+	DECOMPRESSION V+ PIPE
2	NZ2006	SUPPORT DECOMPRESSION V+	EV DISCHARGE SUPPORT FOR V+
3	NZ7020	PIED ARRIERE	REAR FOOT
4	NZ4020	COLONETTE PIED HAUT	SPACER
5	NZ4024	EMBASE PIED ARRIERE	REAR FOOT BASE
6	50408	VIS TF M8X20	SCREW M8X20
7	50300	VIS TF M6X35 INOX	SCREW M6X25 STAINLESS STEEL
8	NZ7024	PATIN PIED ARRIERE	REAR RUBBER FOOT
9	NZ2019	ENTRETOISE VIS BASSINE	SCREW SPACER
10	50307	VIS TH M6 X 50	SCREW M6 X 50
11	NZ7022	PIED AVANT	FRONT FOOT
12	NZ4025	EMBASE PIED AVANT	FRONT FOOT BASE
13	NZ7023	PATIN PIED AVANT	FRONT RUBBER FOOT
14	NZ2054	GRILLE DE BASSINE GAUCHE	LEFT OVERFLOW TRAY GRID
15	NZ2026	GRILLE DE BASSINE 2GR	2 UNITS OVERFLOW TRAY GRID
	NZ2036	GRILLE DE BASSINE 3GR	3 UNITS OVERFLOW TRAY GRID
	NZ2046	GRILLE DE BASSINE 4GR	4 UNITS OVERFLOW TRAY GRID
16	NZ2055	GRILLE DE BASSINE DROITE	RIGHT OVERFLOW TRAY GRID
17	NZ2018	SUPPORT VIDANGE	DRAIN SUPPORT
18	NZ4005	TUBE VIDANGE	DRAIN PIPE
19	NZ3065	TABLETTE REPOSE TASSES	SHELF FOR CUPS
20	NZ3067	SUPPORT TABLETTE	SHELF SUPPORT
21	NZ3066	COIN BLOCAGE TABLETTE	LOCKING WEDGE
22	NZ3072	RENFORT DEVANT EXPORT 2GR	FRONT CASING 2 UNITS REINFORCEMENT
	NZ3073	RENFORT DEVANT EXPORT 3GR	FRONT CASING 3 UNITS REINFORCEMENT
	NZ3074	RENFORT DEVANT EXPORT 4GR	FRONT CASING 4 UNITS REINFORCEMENT
23	NZ3025	DEVANT 2GR V+	FRONT CASING 2 UNITS V+
	NZ3035	DEVANT 3GR V+	FRONT CASING 3 UNITS V+
	NZ3045	DEVANT 4GR V+	FRONT CASING 4 UNITS V+
24	NZ6016	TUBE EVACUATION SOUPAPE HP (V+)	HP VALVE DRAIN TUBE (V+)

11/2013

# STELLA VERSION V+

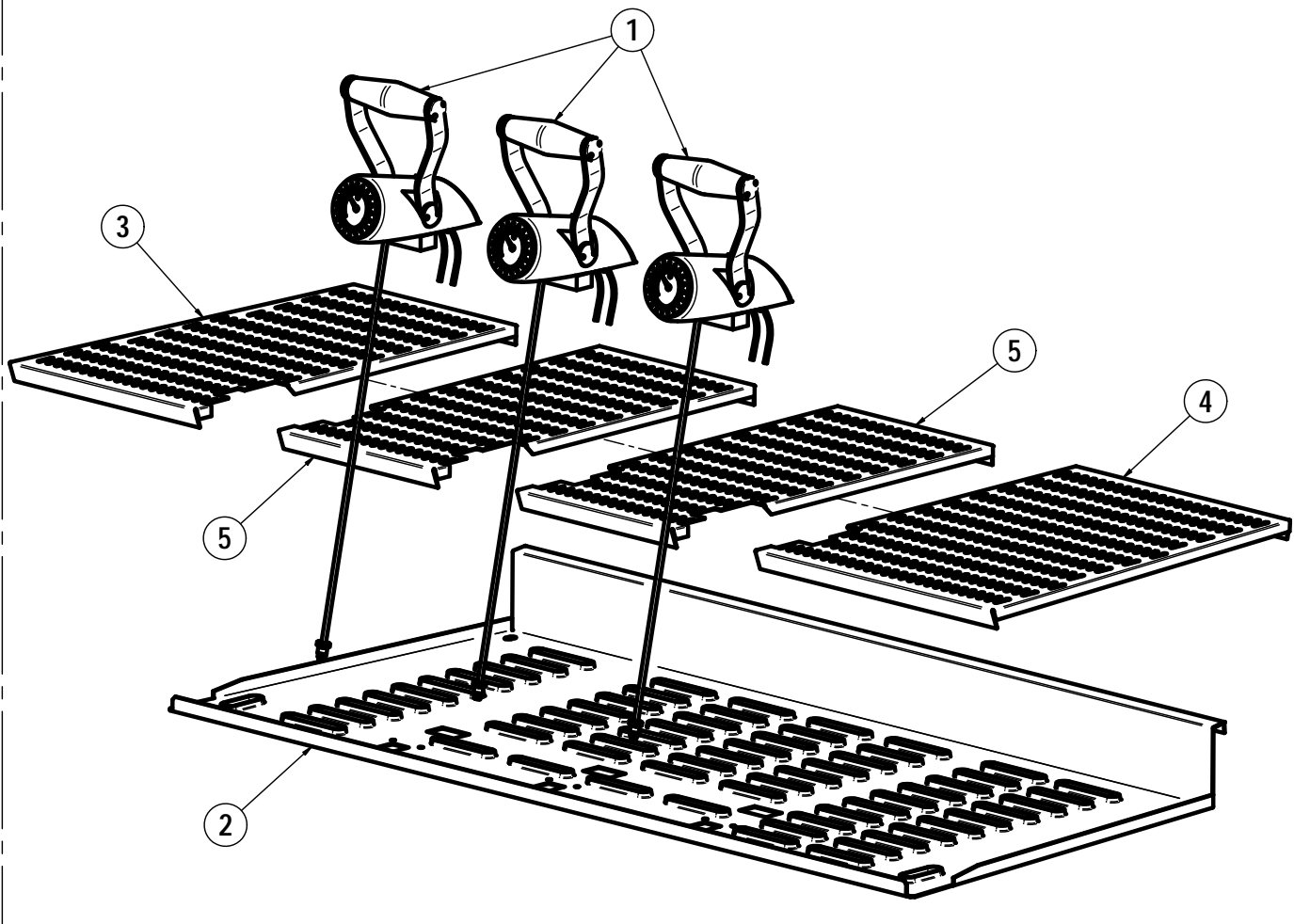


800

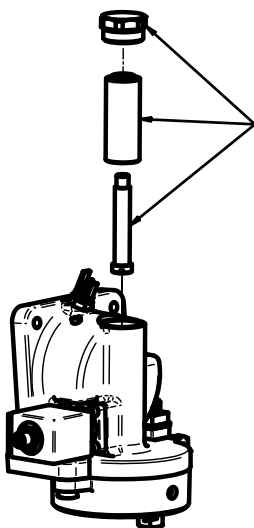


**PLANCHE/PLATE : 810**

<b>REP</b>	<b>REF</b>	<b>DESIGNATION</b>	<b>DESIGNATION</b>
1	NZ1007	DOUBLE COMMANDE	DUAL COMMAND
2	NZ3055	CHAUFFE TASSES 2GR D-C	DUAL COM. CUP WARMER 2 UNITS
	NZ3056	CHAUFFE TASSES 3GR D-C	DUAL COM. CUP WARMER 3 UNITS
	NZ3057	CHAUFFE TASSES 4GR D-C	DUAL COM. CUP WARMER 4 UNITS
3	NZ3010	VERRIERE GAUCHE D-C	LEFT CUP RACK DUAL COM.
4	NZ3011	VERRIERE DROITE D-C	RIGHT CUP RACK DUAL COM.
5	NZ3012	VERRIERE MODULE D-C	MIDDLE CUP RACK DUAL COM.
6	NZ1037	KIT DOUBLE COMMANDE 2GR	DUAL COMMAND 2 UNITS KIT
	NZ1038	KIT DOUBLE COMMANDE 3GR	DUAL COMMAND 3 UNITS KIT
	NZ1039	KIT DOUBLE COMMANDE 4GR	DUAL COMMAND 4 UNITS KIT

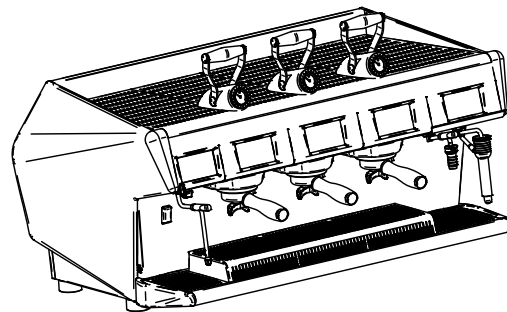


Sur chaque Groupe / For each group

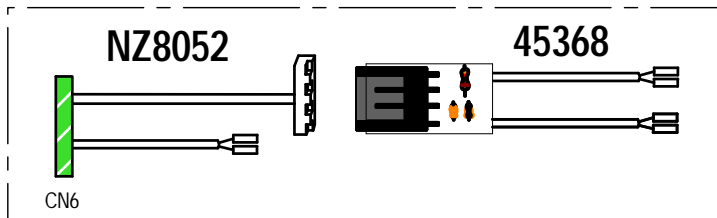


Pièces à remplacer et  
fournies avec le kit NZ1007

Parts to be replaced and  
supplied with the kit  
NZ1007



Connection électrique par groupe  
Electric connexion per group



NOTA :

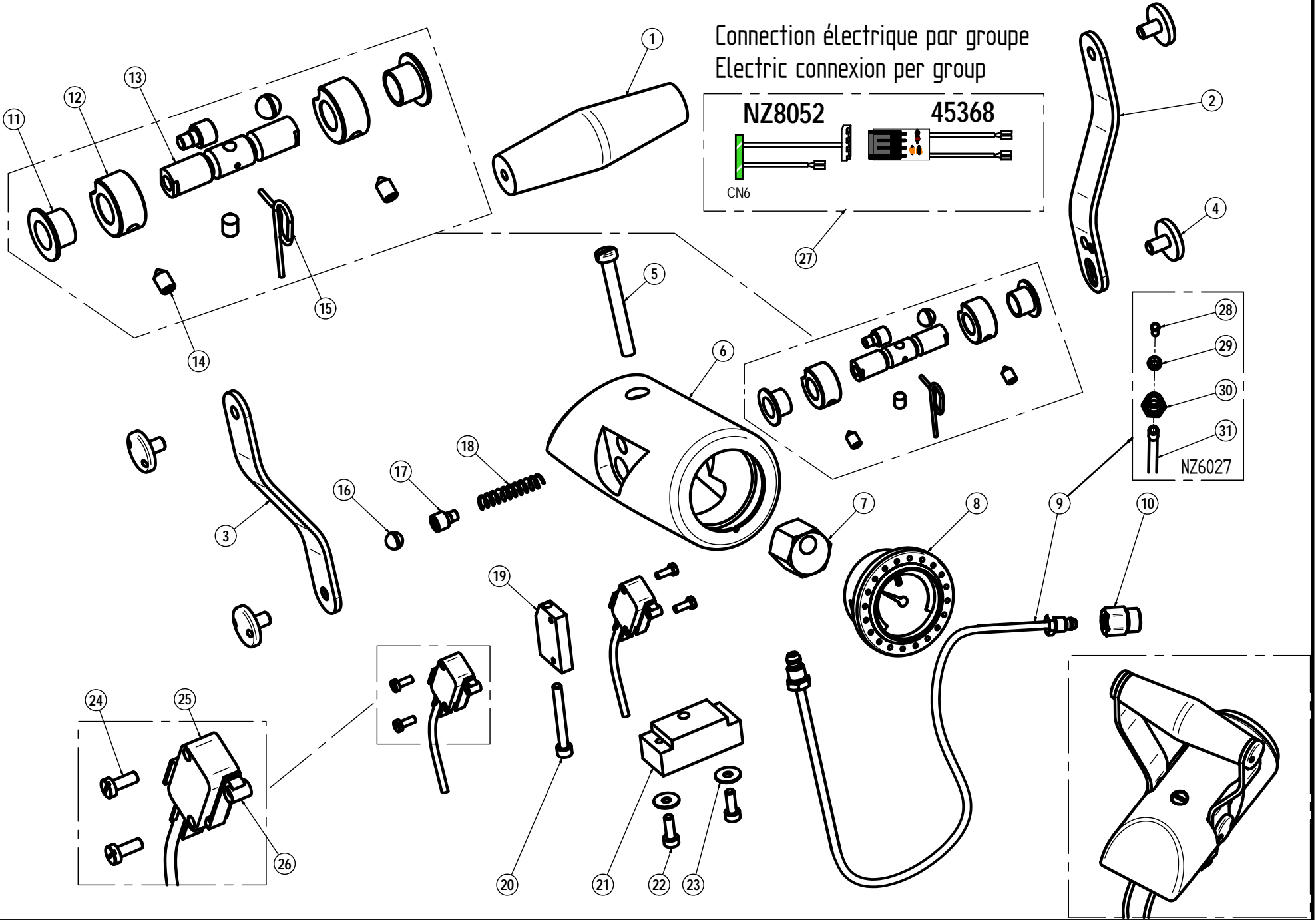
- \* Machine à partir de la Version 1.05
- \* Machine équipée d'une électrovanne de préinfusion
- \* Machine sans le dispositif DOSAMAT

NOTA :

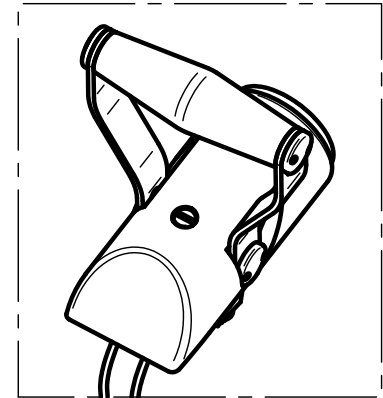
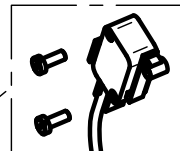
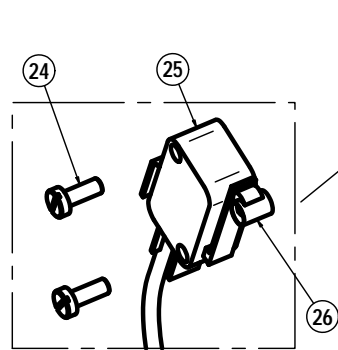
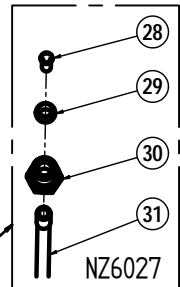
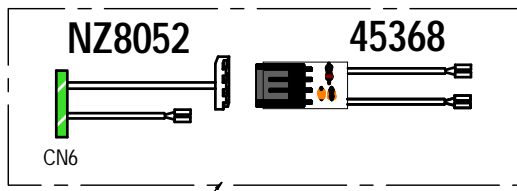
- \* Machine from the version 1.05
- \* Machine equipped with preinfusion E.V
- \* Machine without DOSAMAT system

**PLANCHE/PLATE : 820**

REP	REF	DESIGNATION	DESIGNATION
1	NZ7031	POIGNEE	HANDLE
2	NZ4031	LEVIER DROIT	RIGHT LEVER
3	NZ4030	LEVIER GAUCHE	LEFT LEVER
4	NZ4029	VIS SPE AXE LEVIER	LEVER SCREW
5	50301	VIS TC M6X50 INOX	SCREW M6X50 STAINLESS STEEL
6	NZ4028	SUPPORT DOUBLE COMMANDE	DUAL COMMAND HOLDER
7	NZ4038	RACCORD COUDE	ANGLED CONNECTION
8	27100	MANOMETRE	MANOMETER
9	NZ6027	TUBE MANO D-C	MANOMETER TUBE
10	NZ4039	RACCORD MANO DC	MANOMETER CONNEXION
11	52610	COUSSINET XFM 10-12-9	BEARING 10-12-9
12	NZ4033	CAME	CAM
13	NZ4032	AXE LEVIER	LEVER PIN
14	PC-38	VIS STHC M5X8 BOUT POINTU	POINT END SCREW
15	NZ4036	RESSORT DE RAPPEL	RETURN SPRING
16	CN-1049	BILLE INOX DIAMETRE 8mm	STAINLESS STEEL BALL _ 8mm
17	NZ4037	GUIDE BILLE	BALL GUIDE
18	PA-50	RESSORT INOX 33.5 - 8/10	STAINLESS STEEL SPRING
19	NZ4034	SUPPORT MICRORUPTEUR	MICROSWITCH SUPPORT
20	50120	VIS TC M4X35 INOX	S.STEEL SCREW M4X35
21	NZ4035	CALE FIXATION	BIDING BLOCK
22	MI-80	VIS TCHC M4x12 INOX	SCREW M4 X 12
23	PG-15B	RONDELLE INOX MOYENNE DIAM 4	WASHER
24	CN-104	VIS INOX TC 3 x 12	SCREW M3 x 12 STAINLESS STEEL
25	CN-642	MINIRUPTEUR F=300GR FLASHE OR	MICROSWITCH
26	CN-620	LEVIER AV.RESSORT 161E r=24,1	LEVER WITH CASTOR
27	45368	CABLE MODULE DOUBLE COMMANDE	DUAL COMMAND CABLE
	NZ8052	CABLE BGX / DOUBLE COMMANDE	BGX / DUAL COMMAND CABLE
28	21421	INSERT DIA:2.6	SLEEVE DIA:2.6
29	21420	BICONE DIA:4.5	NIPPLE DIA:4.5
30	21360	ECROU M8 X 100	NUT M8 X 100
31	12734	TUBE PTFE DIA:4	PIPE PTFE DIA:4



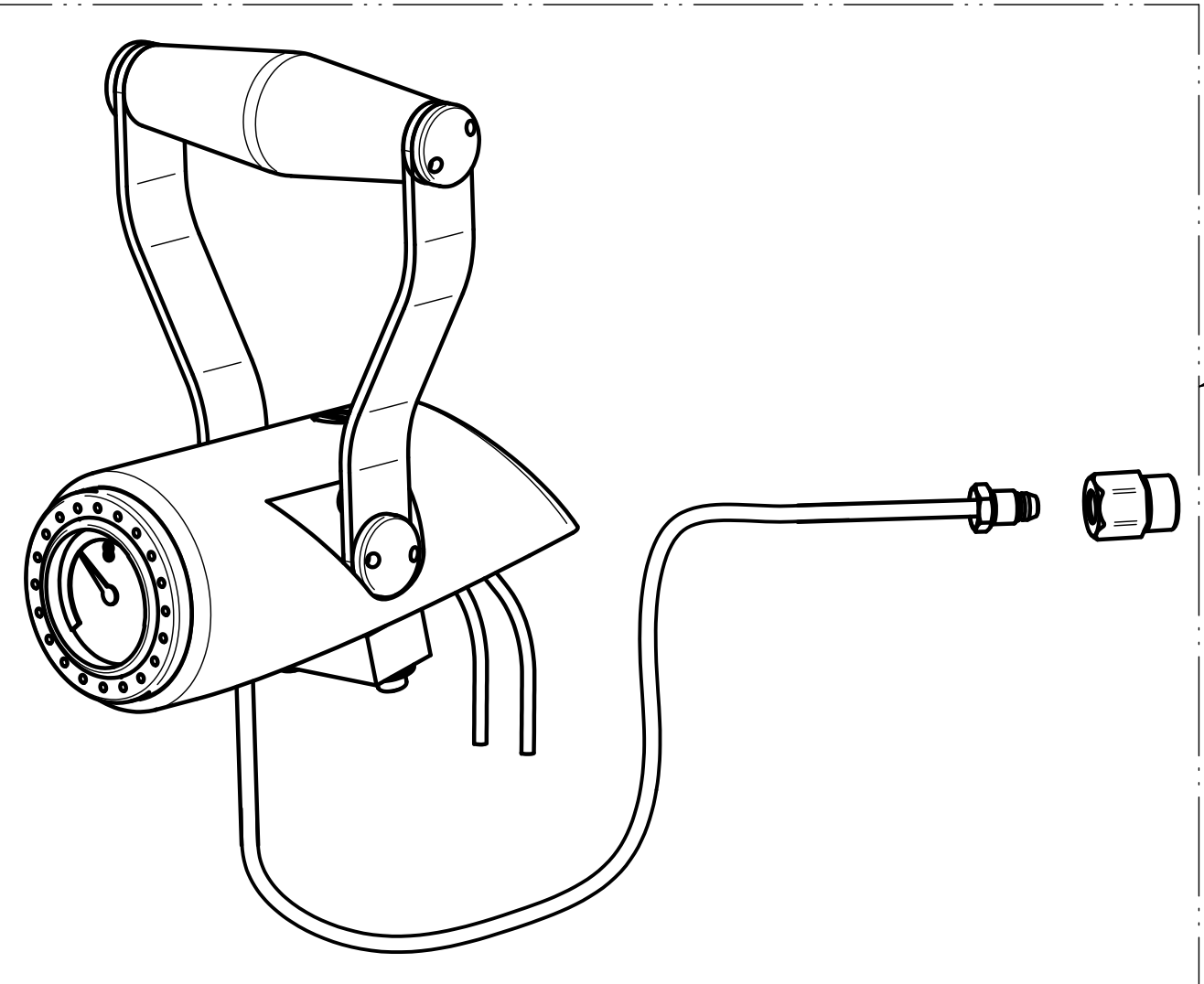
Connection électrique par groupe  
Electric connexion per group





**PLANCHE/PLATE : 830**

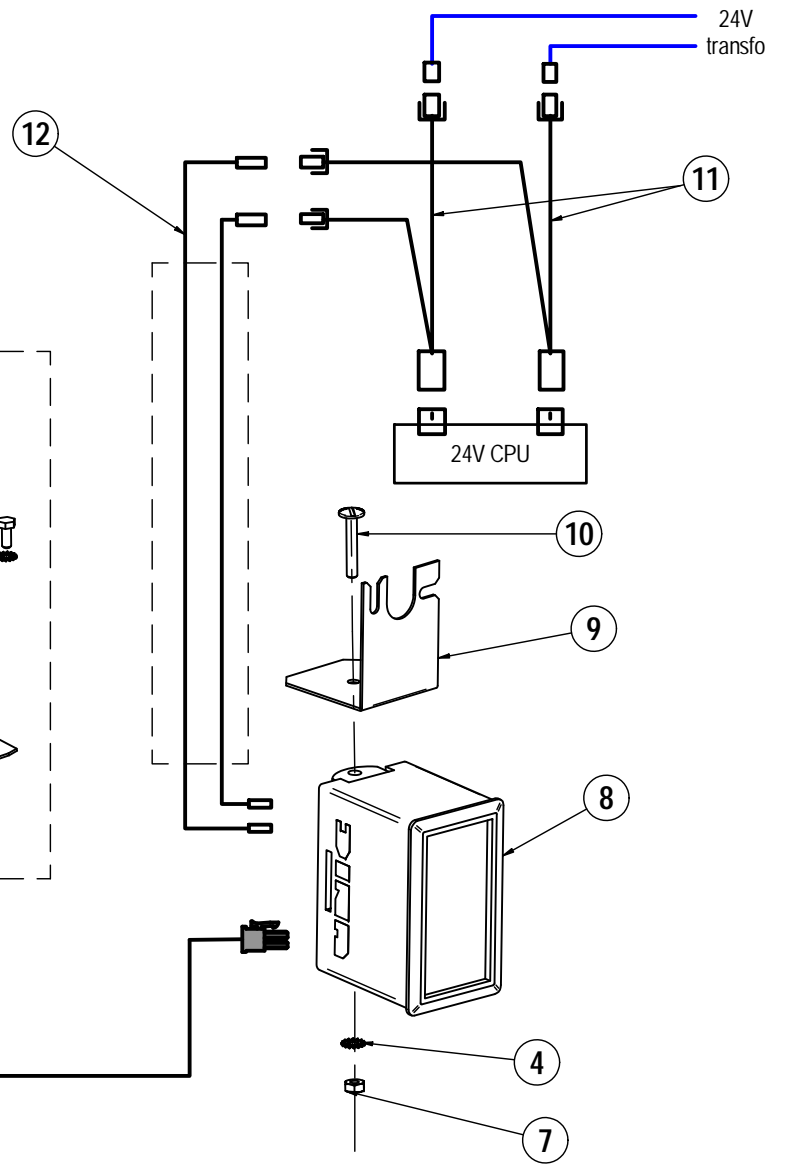
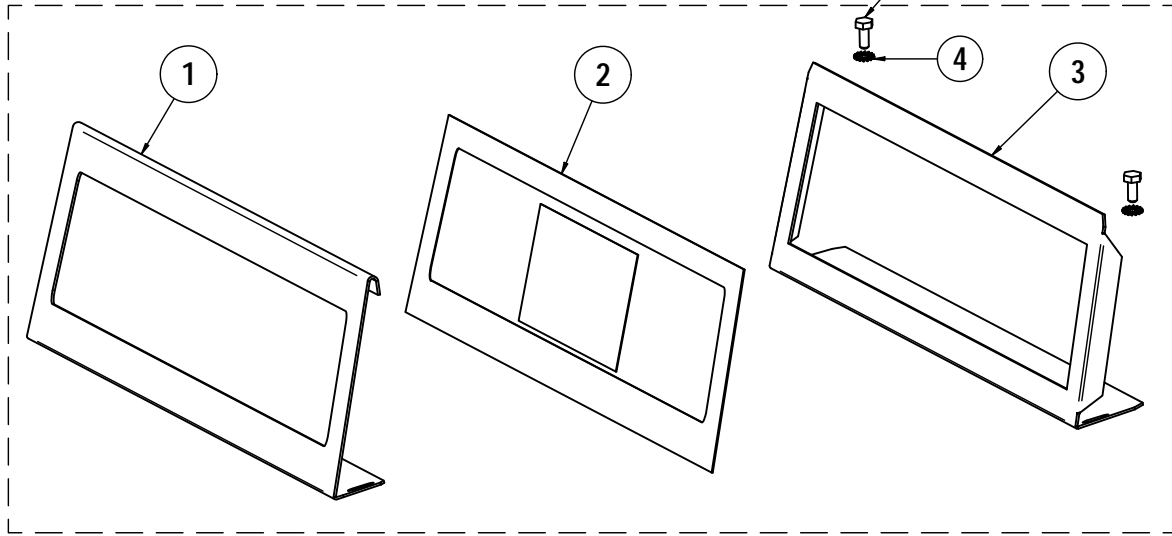
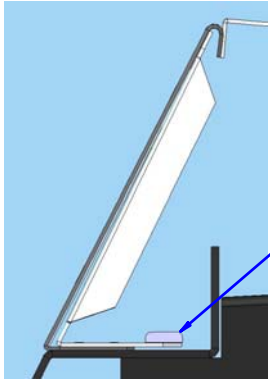
<b>REP</b>	<b>REF</b>	<b>DESIGNATION</b>	<b>DESIGNATION</b>
1	NZ1006	LEVIER DE COMMANDE	COMMAND LEVER
2	NZ4015	BOUCHON GROUPE CAPTEUR	SENSOR UNIT CAP
3	NZ4010	ENTRETOISE POU MON	CHAMBER SPACER
4	NZ4016	VIS POU MON GR STELLA	CHAMBER SCREW



- ①
- ②
- ③
- ④

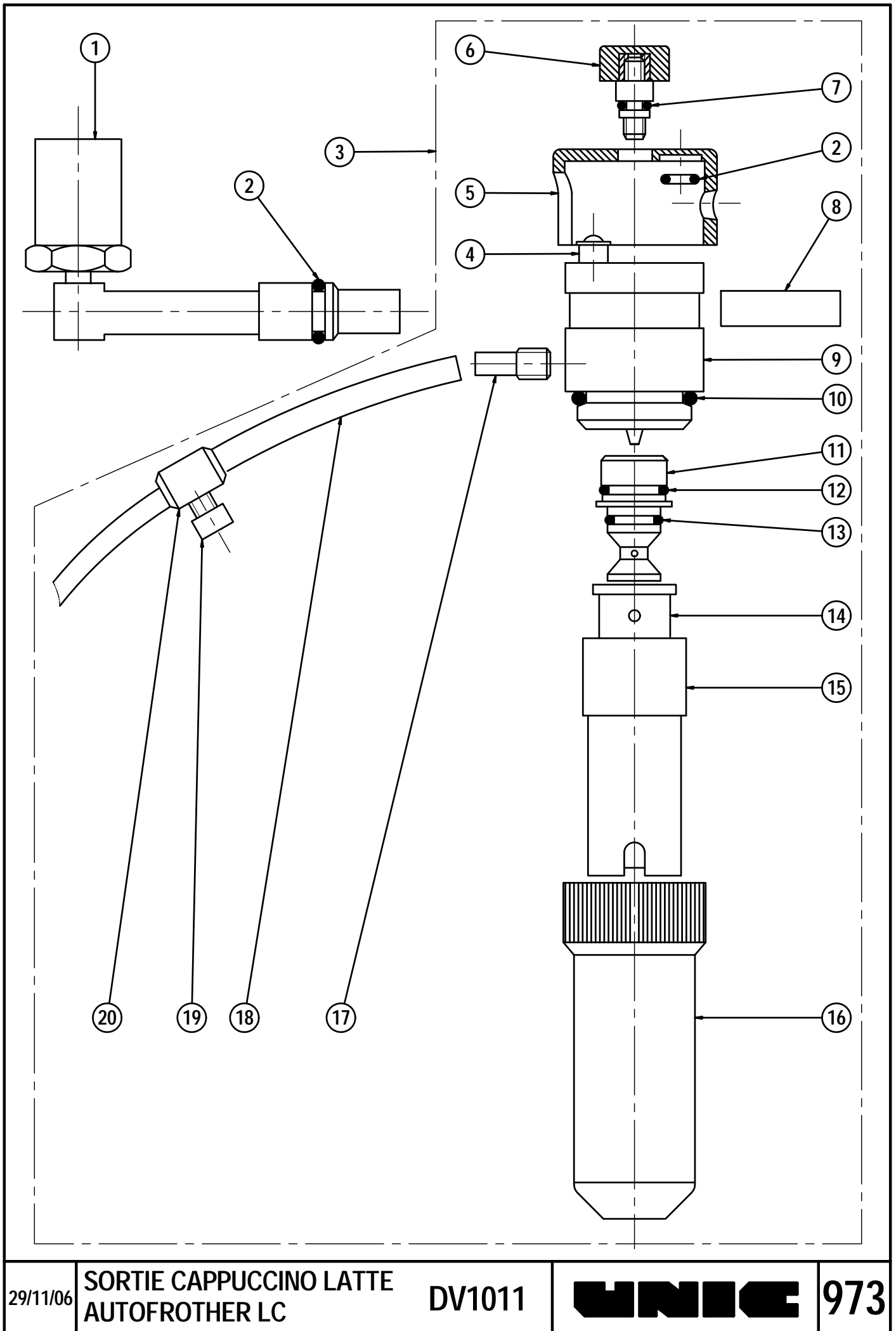
**PLANCHE/PLATE : 850**

<b>REP</b>	<b>REF</b>	<b>DESIGNATION</b>	<b>DESIGNATION</b>
1	NZ3027	ARRIERE CHAUFFE TASSES 2GR BANDEAU	CUP WARMER BACK 2 UNITS STRIP
	NZ3037	ARRIERE CHAUFFE TASSES 3GR BANDEAU	CUP WARMER BACK 3 UNITS STRIP
	NZ3047	ARRIERE CHAUFFE TASSES 4GR BANDEAU	CUP WARMER BACK 4 UNITS STRIP
2	46202	BANDEAU AR PERSONNALISABLE 2GR	2 UNITS CUSTOMIZABLE REAR STRIP
	46203	BANDEAU AR PERSONNALISABLE 3GR	3 UNITS CUSTOMIZABLE REAR STRIP
	46204	BANDEAU AR PERSONNALISABLE 4GR	4 UNITS CUSTOMIZABLE REAR STRIP
3	NZ3058	TOLE SANDWICH BANDEAU AR 2GR	REAR SANDWICH PLATE 2 UNITS
	NZ3059	TOLE SANDWICH BANDEAU AR 3GR	REAR SANDWICH PLATE 3 UNITS
	NZ3060	TOLE SANDWICH BANDEAU AR 4GR	REAR SANDWICH PLATE 4 UNITS
4	CN-343	RONDELLE EVENTAIL 4	WASHER 4
5	DV-44	VIS TH M4X10 ACIER	SCREW M4x10
6	NZ8026	RUBAN LED AR 2GR	REAR LED STRIP 2 UNITS
	NZ8027	RUBAN LED AR 3GR	REAR LED STRIP 3 UNITS
	NZ8028	RUBAN LED AR 4GR	REAR LED STRIP 4 UNITS
7	PG-14	ECROU M4	NUT M4
8	45038	BOITIER DE CONTRÔLE LED RGB	ELECTONIC BOX FOR LED RGB
9	NZ2066	SUPPORT BOITIER ALIM	CONTROL BOX HOLDER
10	50100	VIS TC M4 X 25	SCREW M4 X 25
11	DV8021	Câble pont	Bridge cable
12	TG8002	CABLE ALIM 24V LED RBG	24V LED RGB SUPPLY CABLE
	NZ1046	KIT BANDEAU AR 2GR	REAR STRIP 2 UNITS KIT
	NZ1047	KIT BANDEAU AR 3GR	REAR STRIP 3 UNITS KIT
	NZ1048	KIT BANDEAU AR 4GR	REAR STRIP 4 UNITS KIT



**PLANCHE/PLATE : 973**

<b>REP</b>	<b>REF</b>	<b>DESIGNATION</b>	<b>DESIGNATION</b>
1	DV6040	TUBE CUIVRE LC	LC COPPER PIPE
2	NA-47	JOINT TORIQUE 1.78X7.66 EPDM	O RING - 1.78 X 7.66 EPDM
3	26170	SORTIE CAPPUCINATORE LC	LC CAPPUCINATORE OUTLET
4	RO-58	POUSOIR A BILLE	THRUST BALL BEARING
5	26172	MANETTE	LEVER
6	26179	VIS M4 COMPLET	WHOLE M4 SCREW
7	TC-80	JOINT TORIQUE 1,78X2,90 FKM	GASKET 1.78X2.90 FKM
8	45930	ETIQUETTE LC	LC STICKER
9	26180	CORPS COMPLET	WHOLE BODY
10	PH-17	JOINT TORIQUE 2,62X20,63 EPDM	GASKET 20,63 X 2,62
11	26174	MELANGEUR	MIXER
12	CN2850	JOINT TORIQUE 1.78X10.82 EPDM	O RING - 1.78 X 10.82 EPDM
13	27715	JOINT TORIQUE 1,78X8,73 SILICONE	GASKET 8,73 X 1,78
14	26149	MOUSSEUR	FROTHER
15	26148	BRISE JET	ANTI PLASH PLUG
16	26171	BEC VERSEUR	SPOUT
17	26175	EMBOUT M6	M6 NOZZLE
18	12702	TUBE SILICONE 3 X 6	SILICONE PIPE 3X 6
19	50202	VIS TCHc M5x8 INOX	SCREW M5 X 8
20	26136	ANNEAU DE REGULATION	REGULATION RING



29/11/06

SORTIE CAPPUCCINO LATTE  
 AUTOFROTHER LC

DV1011

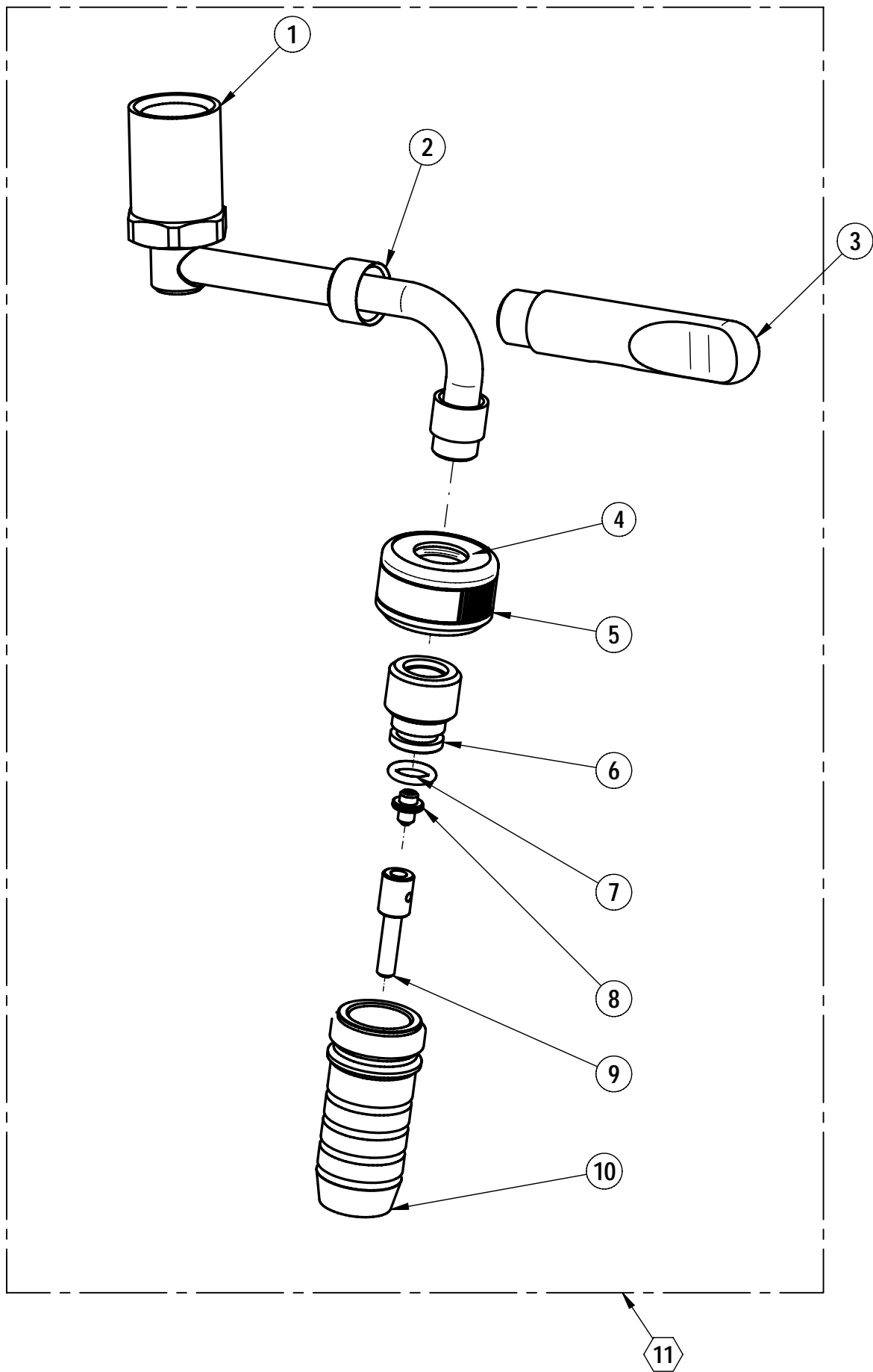
**UNICE**

**973**

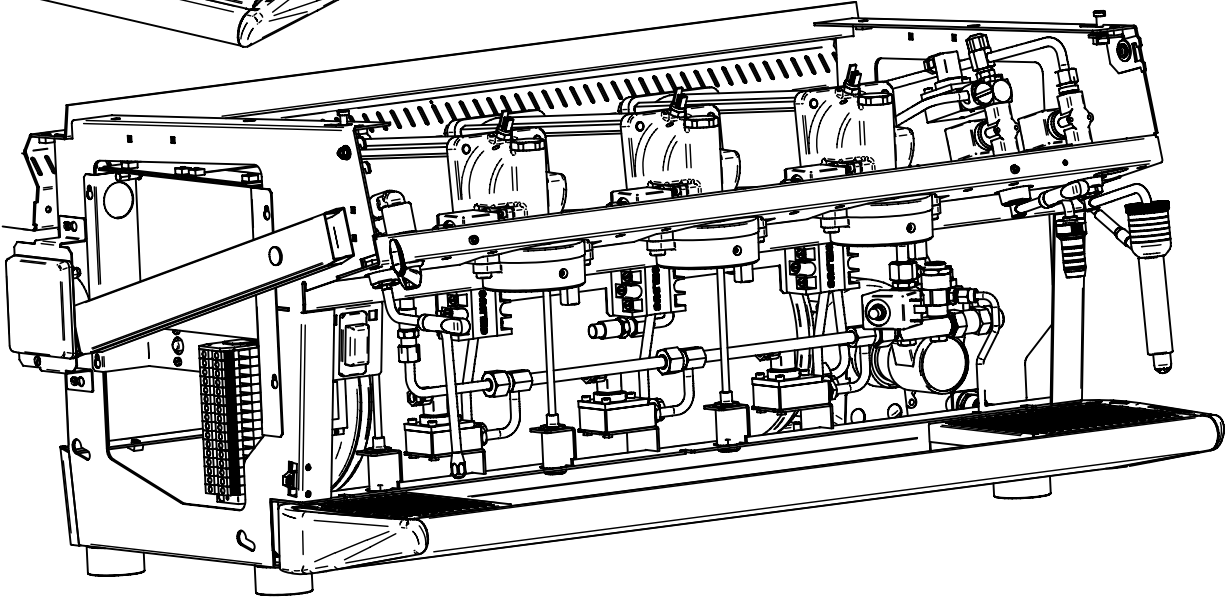
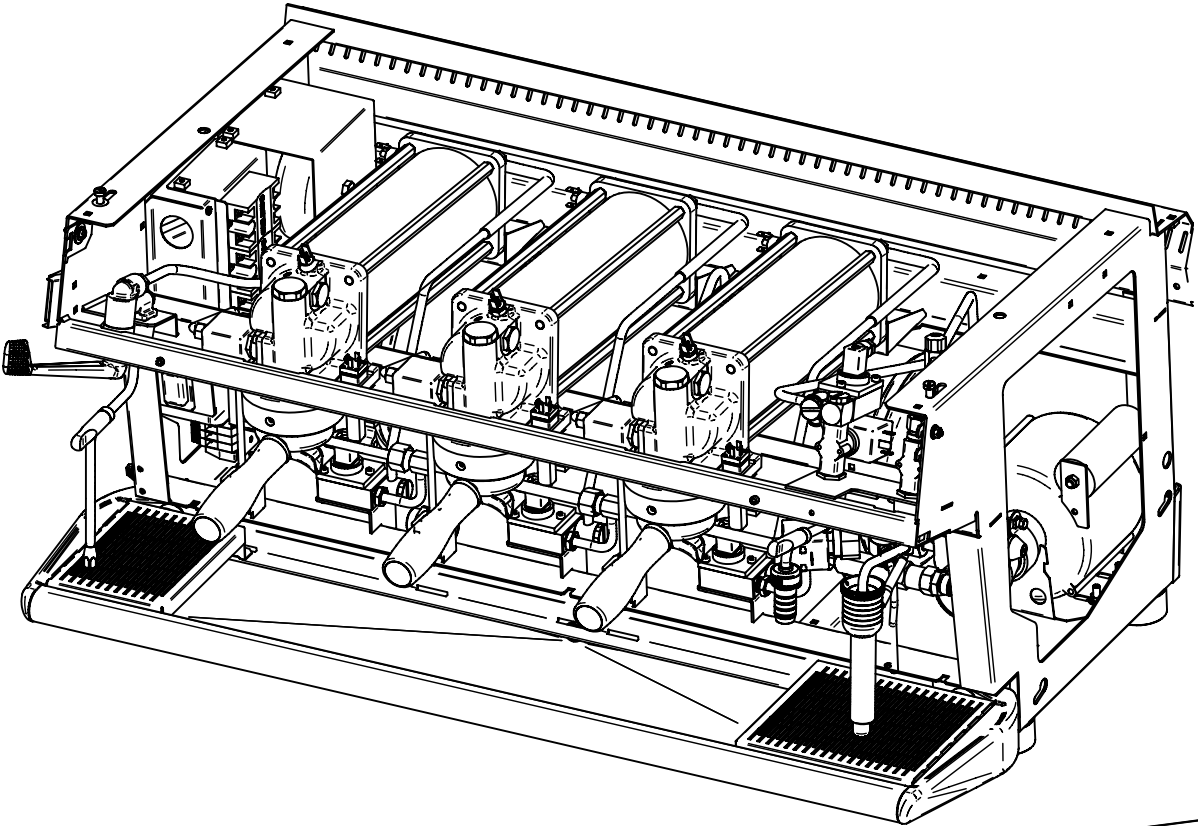
**PLANCHE/PLATE : 983**

<b>REP</b>	<b>REF</b>	<b>DESIGNATION</b>	<b>DESIGNATION</b>
1	DV6061	TUBE SORTIE EAU CHAUDE	HOT WATER OUTLET PIPE
2	25911	BAGUE POUR POIGNEE EAU ET VAPEUR	WATER AND STEAM HANDLE COLLAR
3	25910	POIGNEE SORTIE EAU CHAUDE ET VAPEUR	HOT WATER AND STEAM OUTLET HANDLE
4	46028	AUTOCOLLANT SORTIES REGLABLES	ADJUSTABLE OUTLET STICKER
5	25710	MOLETTE POUR SORTIE DEBIT REGLABLE	ADJUSTABLE OUTLET TOOTHED WHEEL
6	25708	RACCORD SORTIE DEBIT REGLABLE	ADJUSTABLE OUTLET FITTING
7	CN-436	JOINT TORIQUE 1,78X8,73 EPDM	GASKET 8,73 X 1,78
8	23119	GICLEUR DIAM:0,9	GICLUER DIAM. 0.9
9	23118	SUPPORT GICLEUR SORTIE EAU CHAUDE	HOT WATER GICLUER SUPPORT
10	25712	EMBOUT EAU CHAUDE DEBIT REGLABLE	ADJUSTABLE HOT WATER SPOUT
11	DV1024	SORTIE EAU CHAUDE REGLABLE	ADJUSTABLE HOT WATER OUTLET

Pour les machines NSF: prière de se reporter à la première page de la section pour les références spécifiques  
 For NSF machines: please refer to the first page of this chapter for specific references



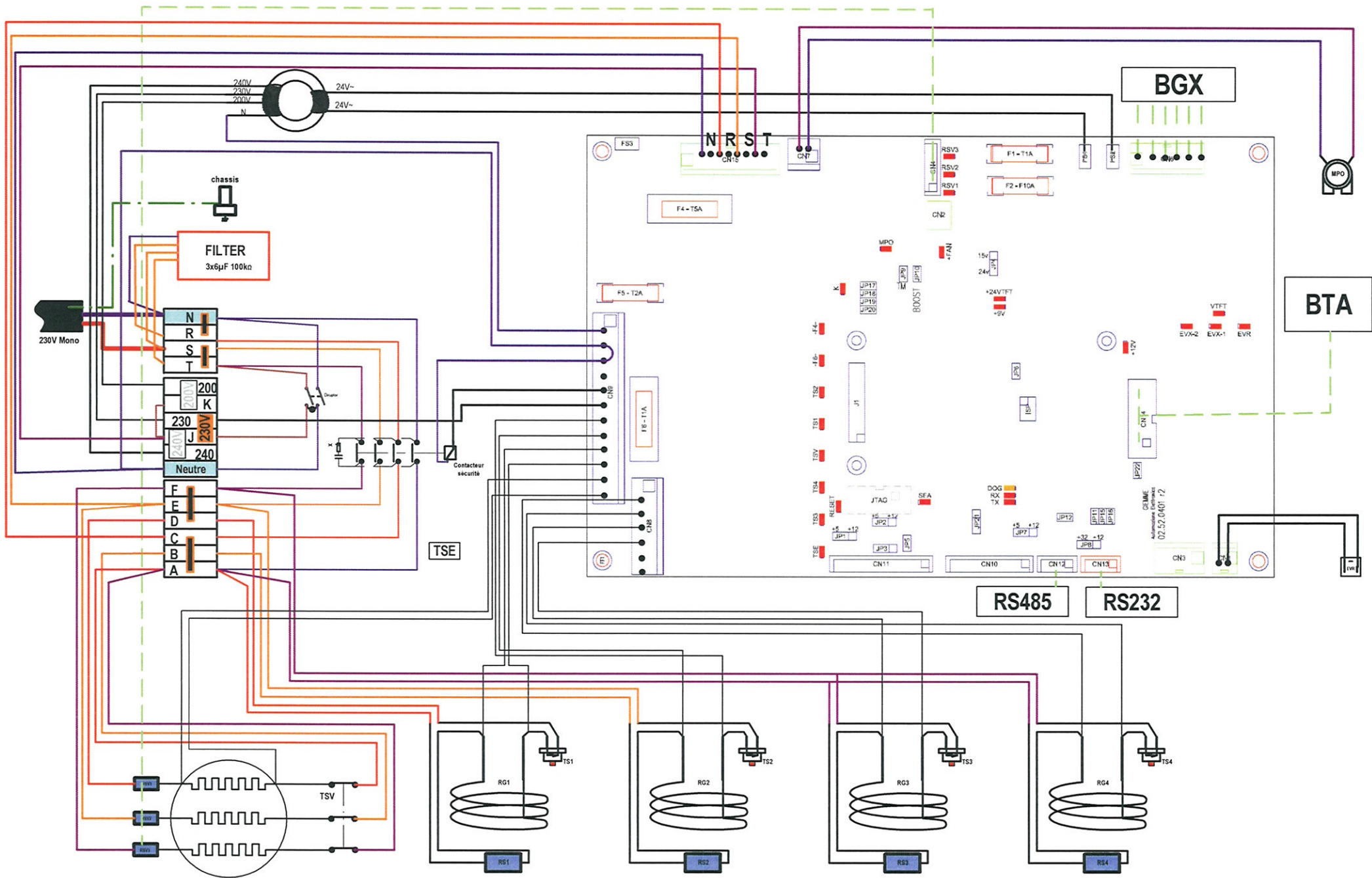




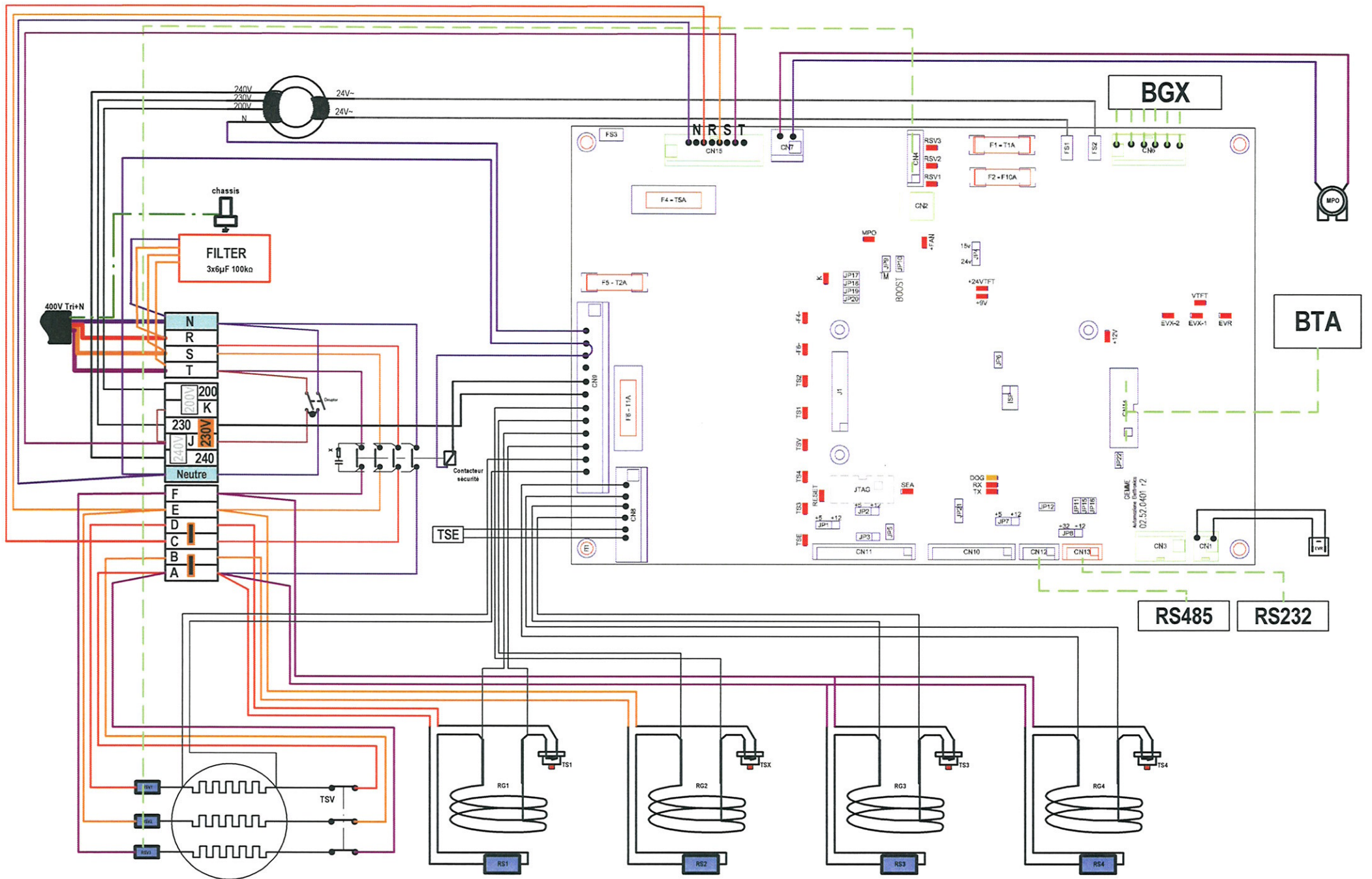
07/2011

VUES STELLA 3GR  
STELLA 3 UNITS VIEWS

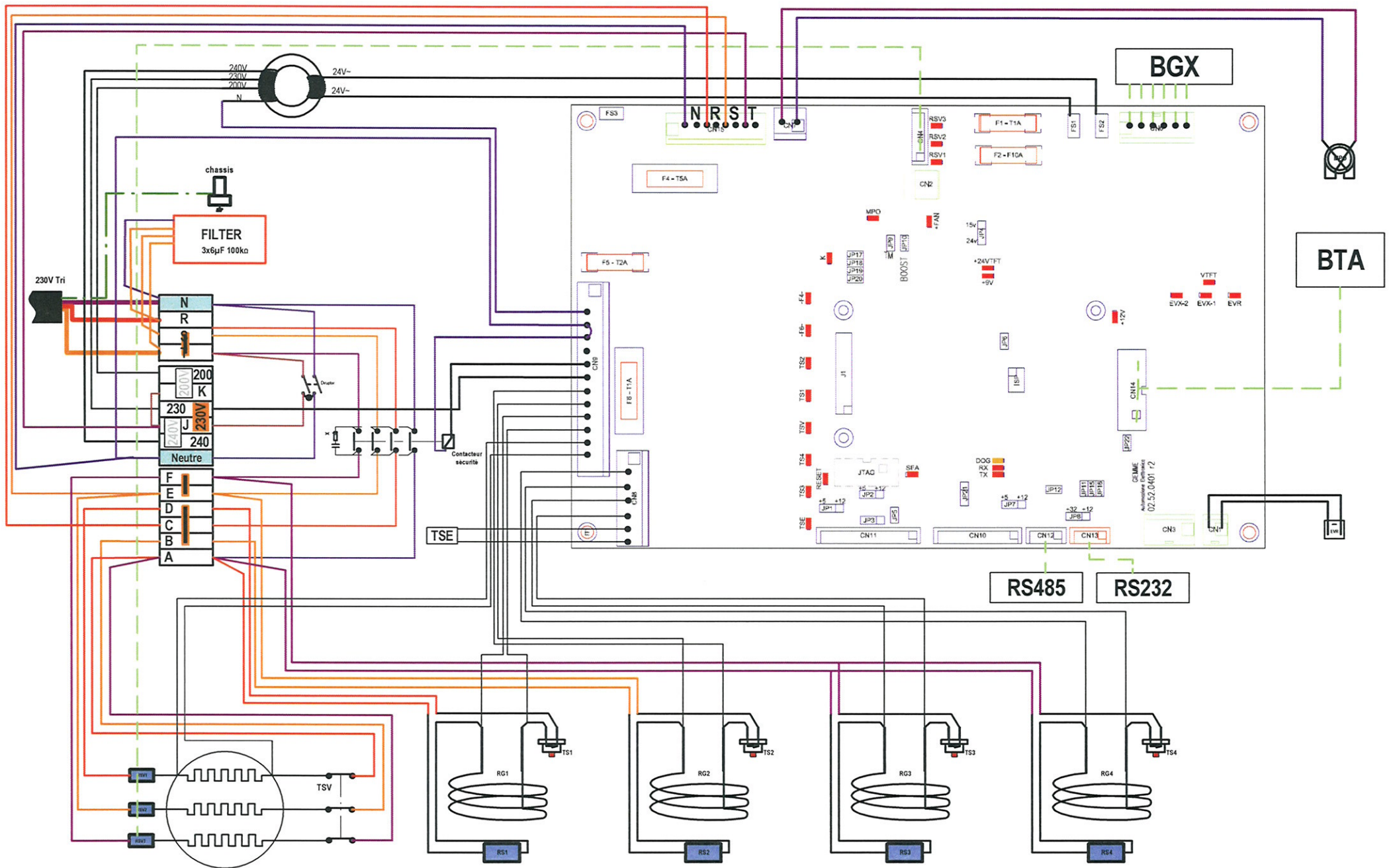
**VNICE**



STELLA DI CAFFE SCHEMA DE CABLAGE DE PRINCIPE 230V MONO 13/07/2012



STELLA DI CAFFE SCHEMA DE CABLAGE DE PRINCIPE 400V tri 13/07/2012



STELLA DI CAFFE SCHEMA DE CABLAGE DE PRINCIPE 230V tri 13/07/2012

